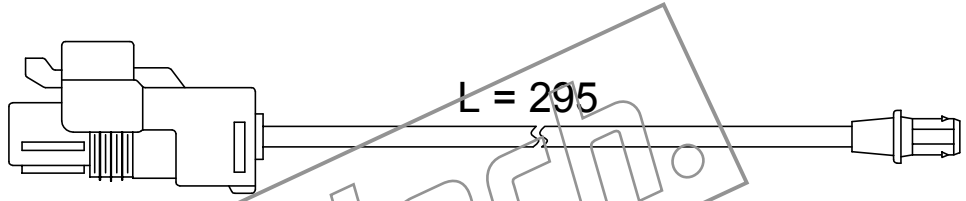
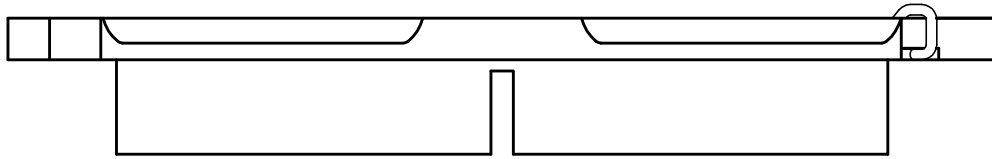
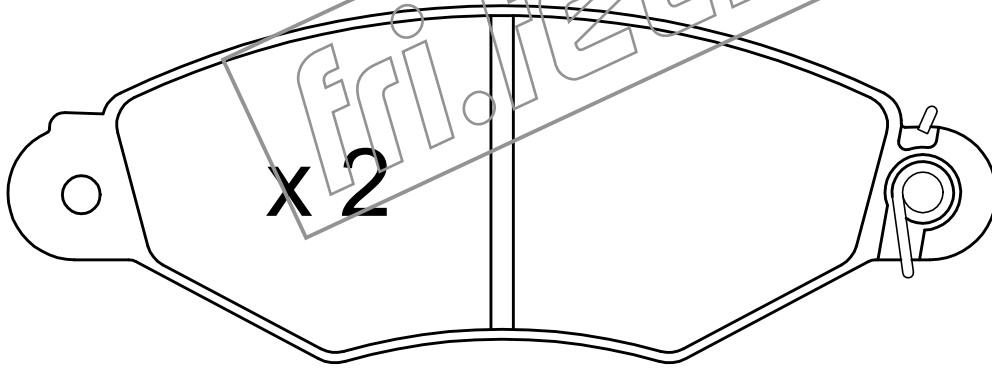


x 1

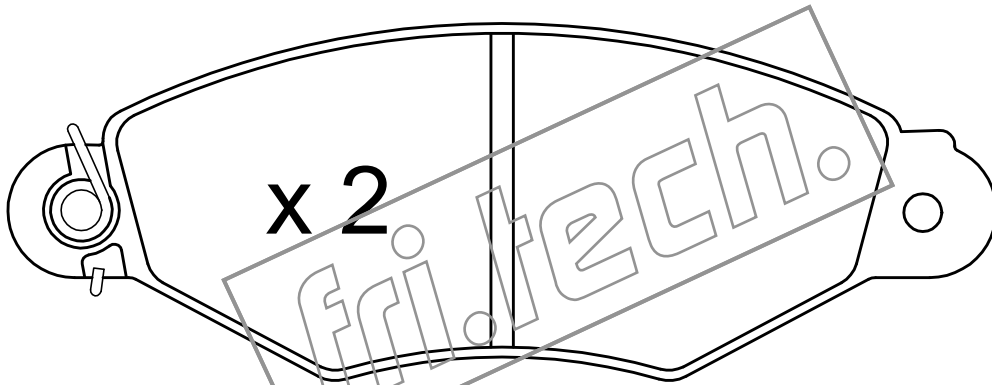


L = 295

x 2

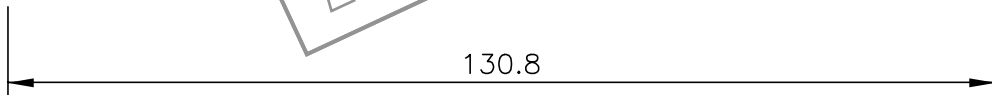


x 2

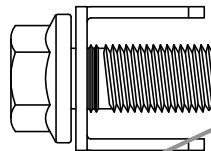


47.3

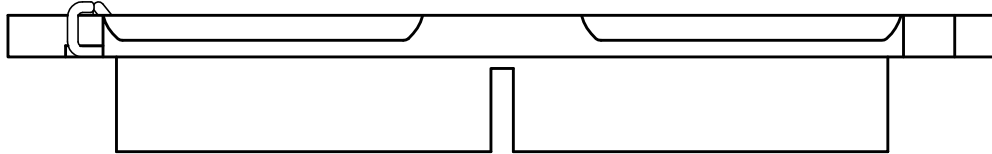
130.8



x 2



18



fri.tech.