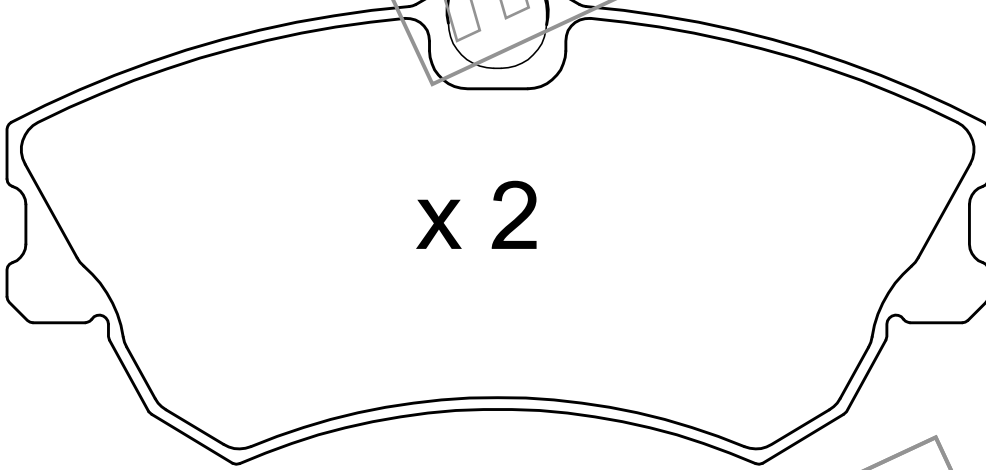
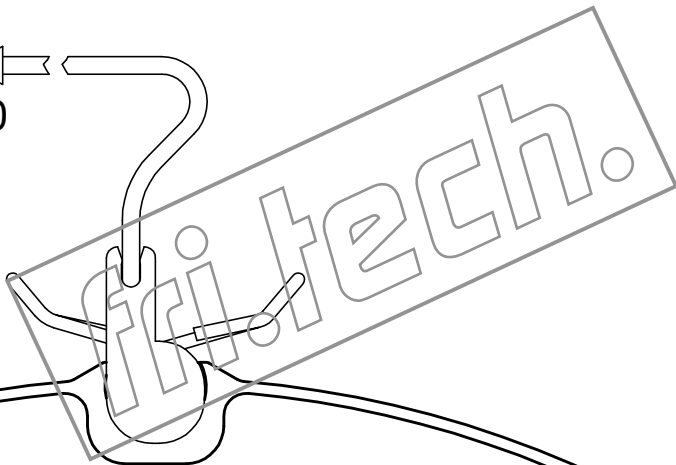
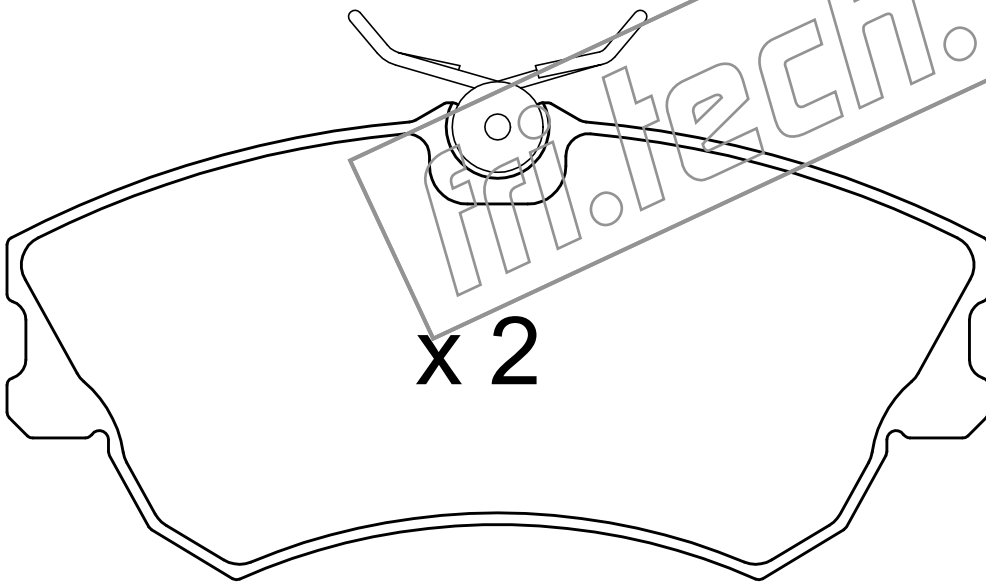


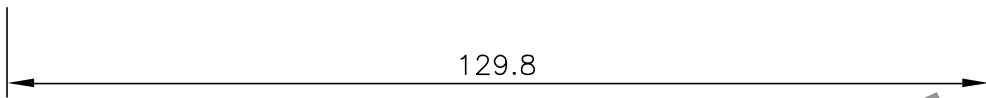
L = 280



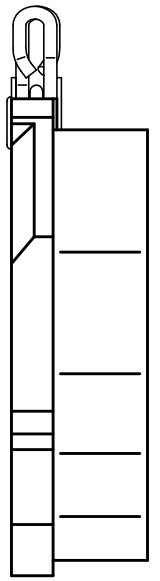
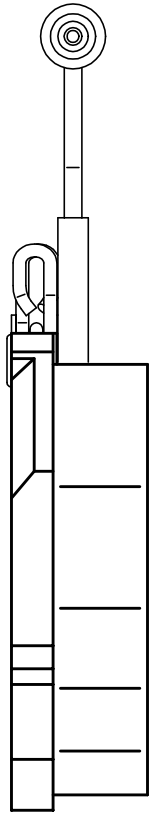
x 2



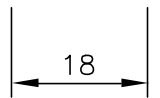
x 2



129.8



63.1



18

