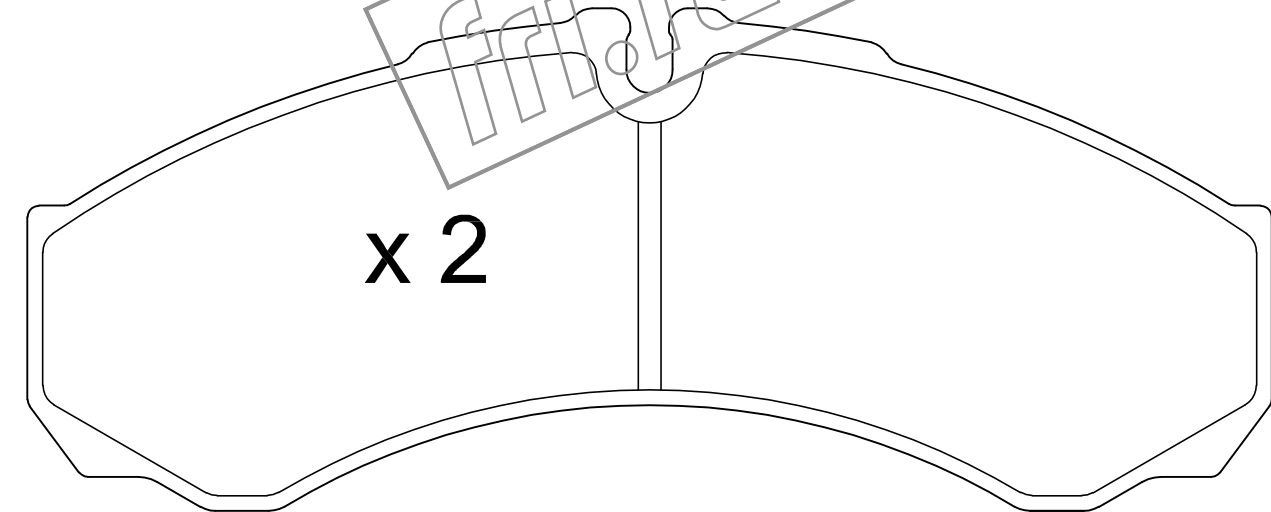
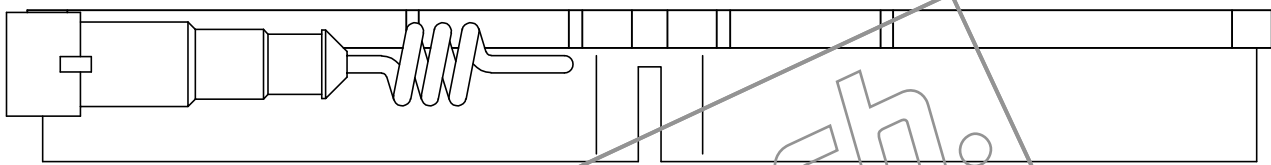
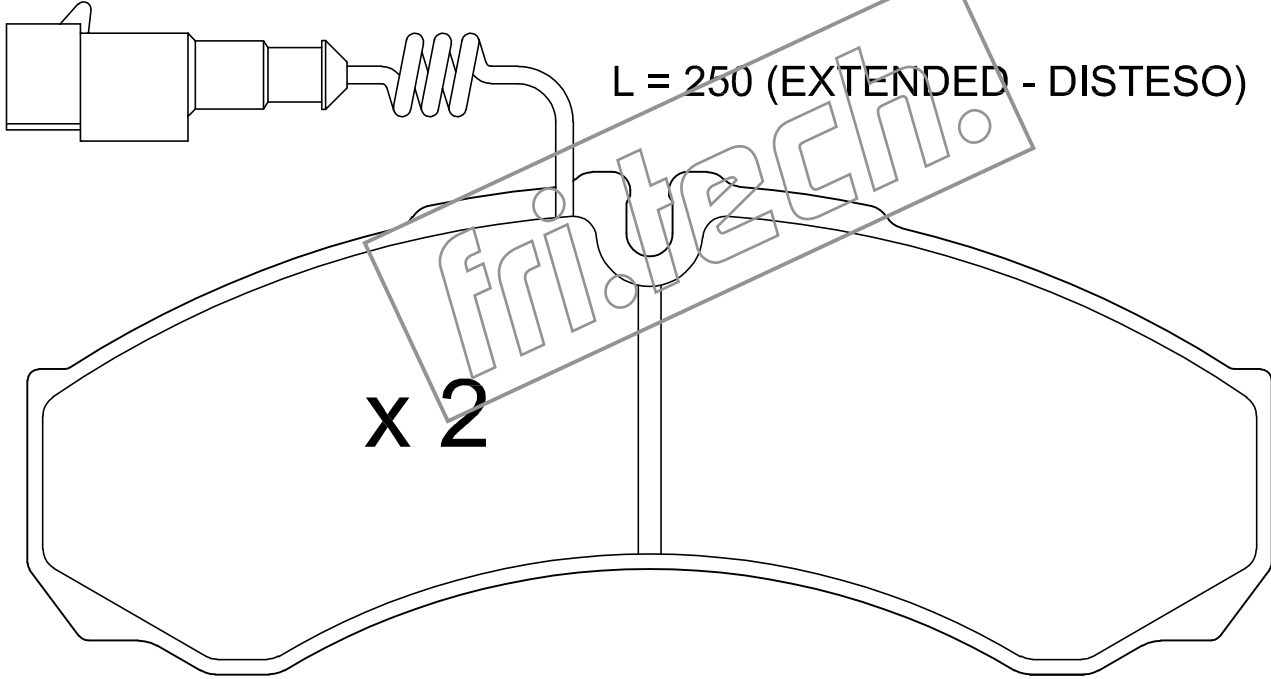
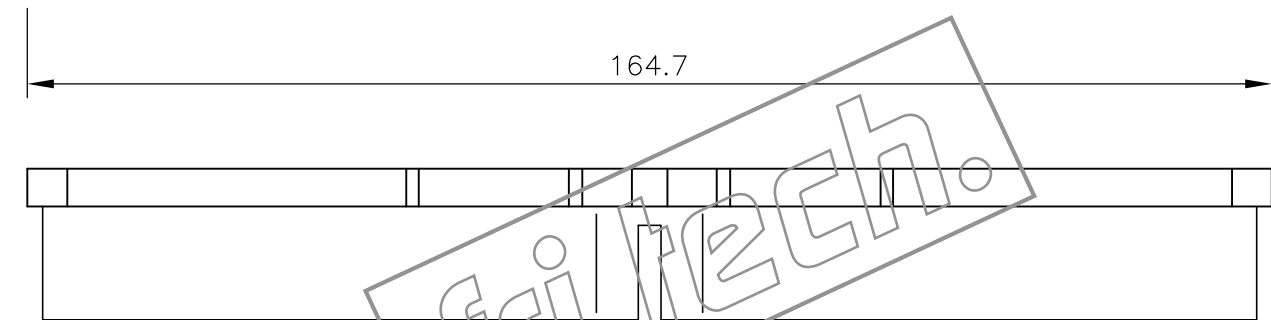


L = 250 (EXTENDED - DISTESO)



66.6

164.7



20