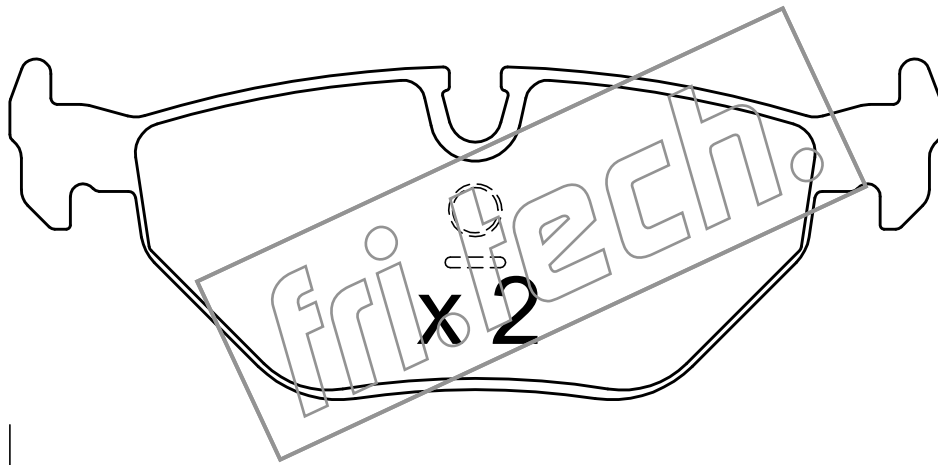
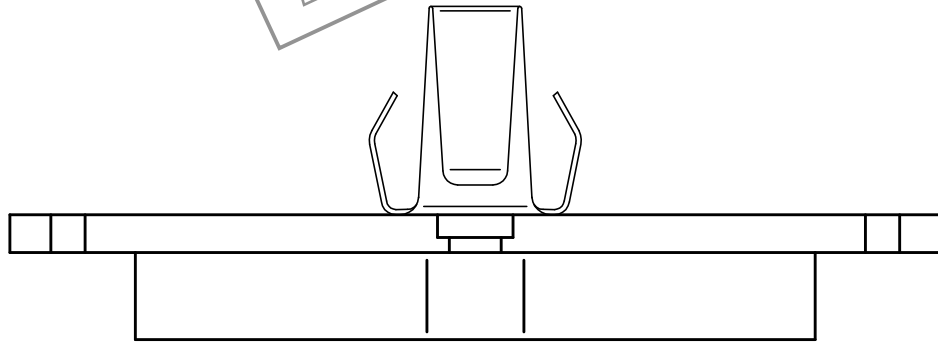


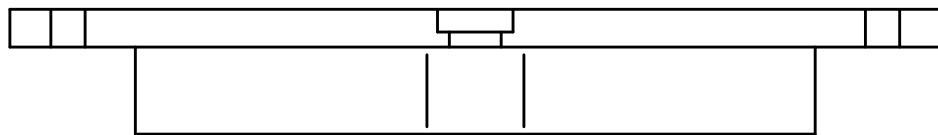
x 2



x 2

123.2

45.2



17

fri.tech.