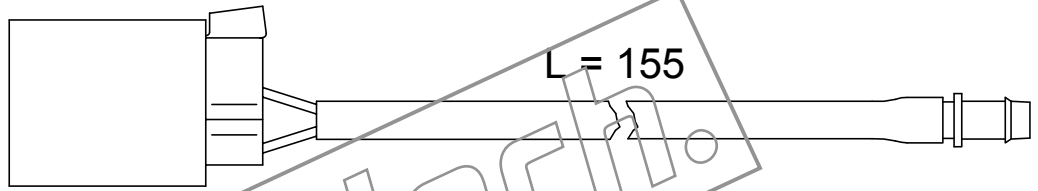
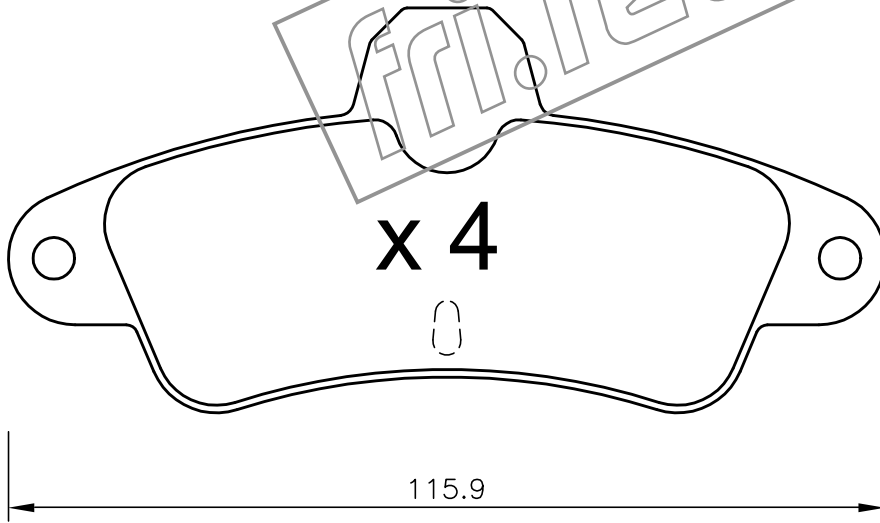


x 2

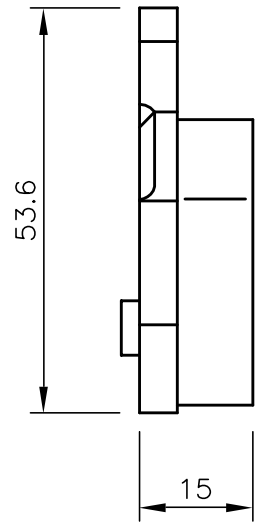


L = 155



x 4

115.9



53.6

15

fri.tech.

fri.tech.