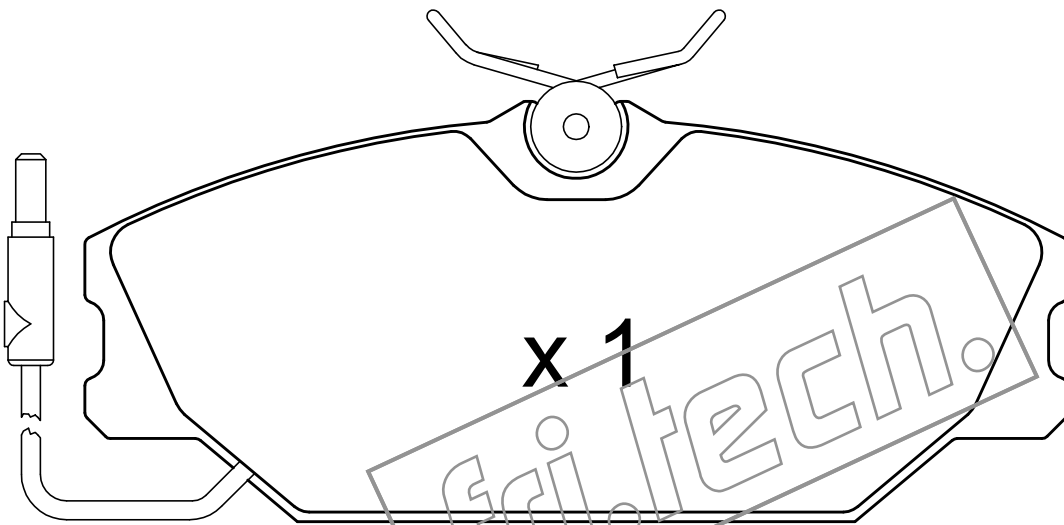
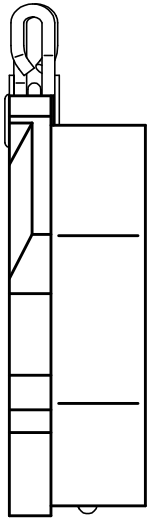


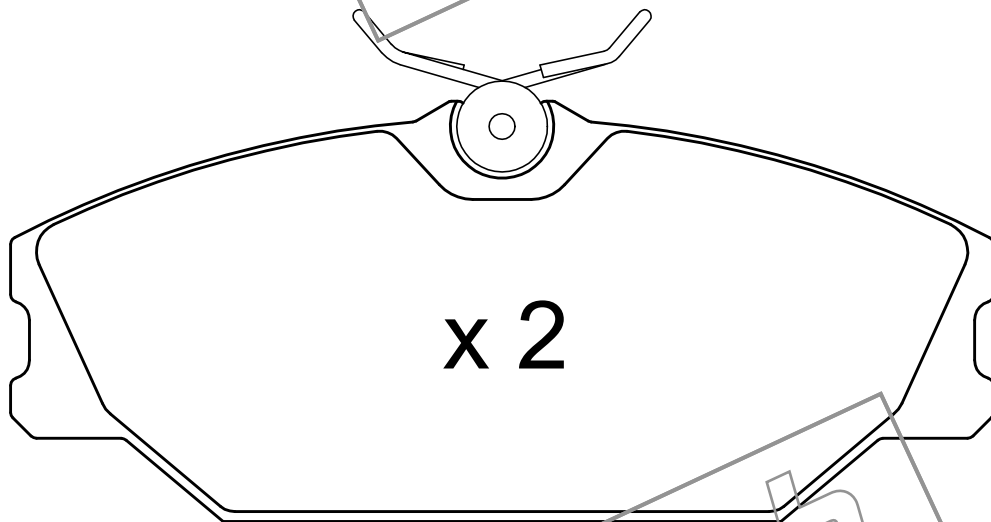
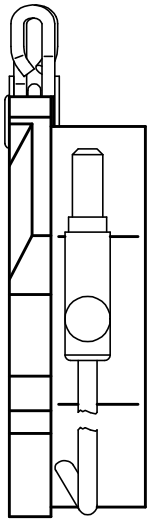
x 1

L = 230



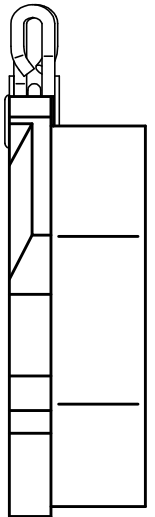
x 1

L = 230



x 2

130.2



18

