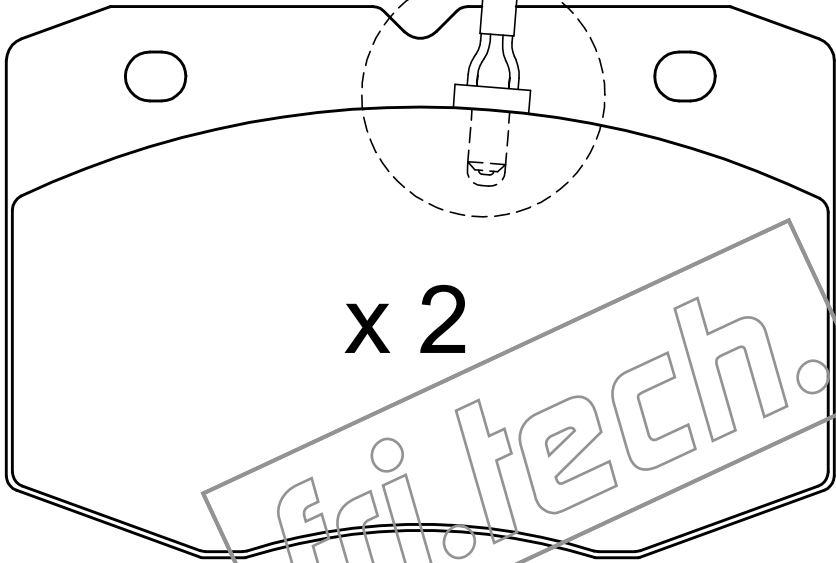
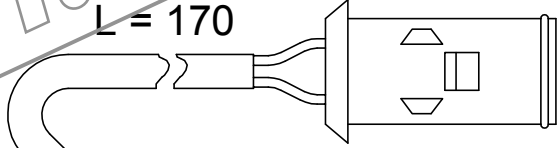


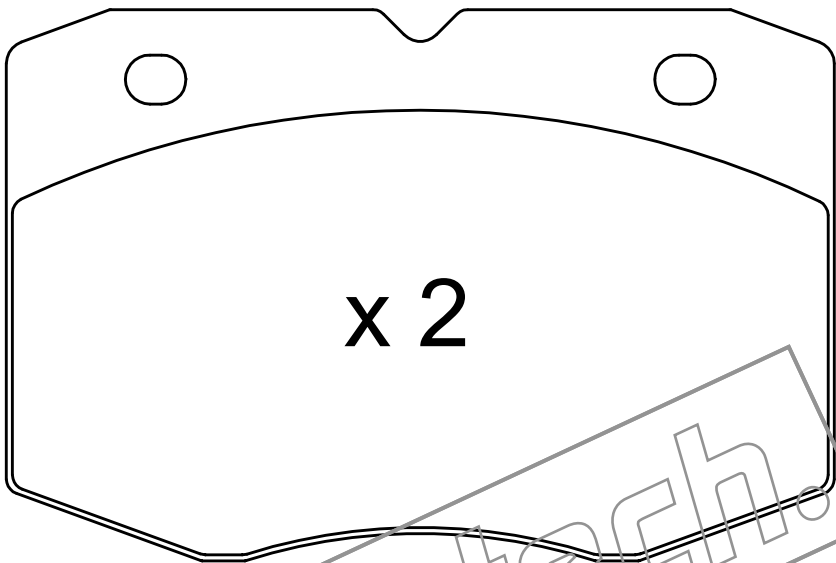
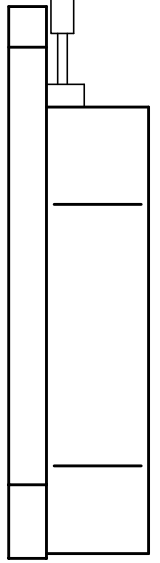
fri.tech.

L = 170



x 2

fri.tech.

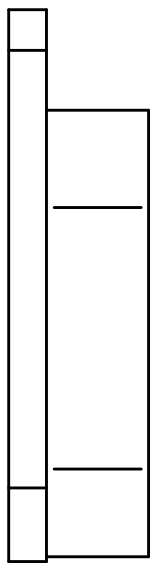


x 2

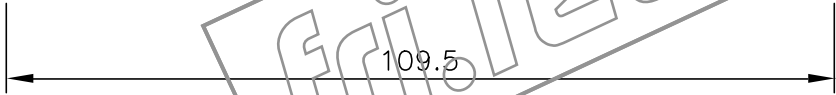
fri.tech.



73.2



18



109.5