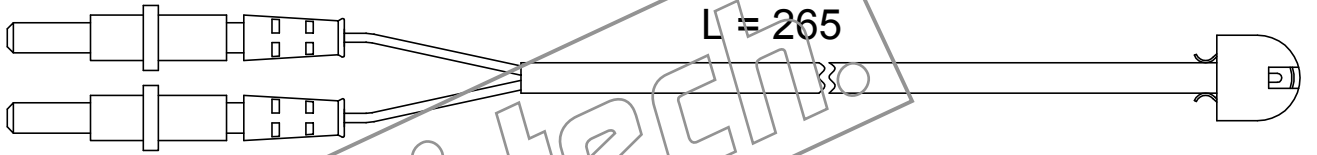
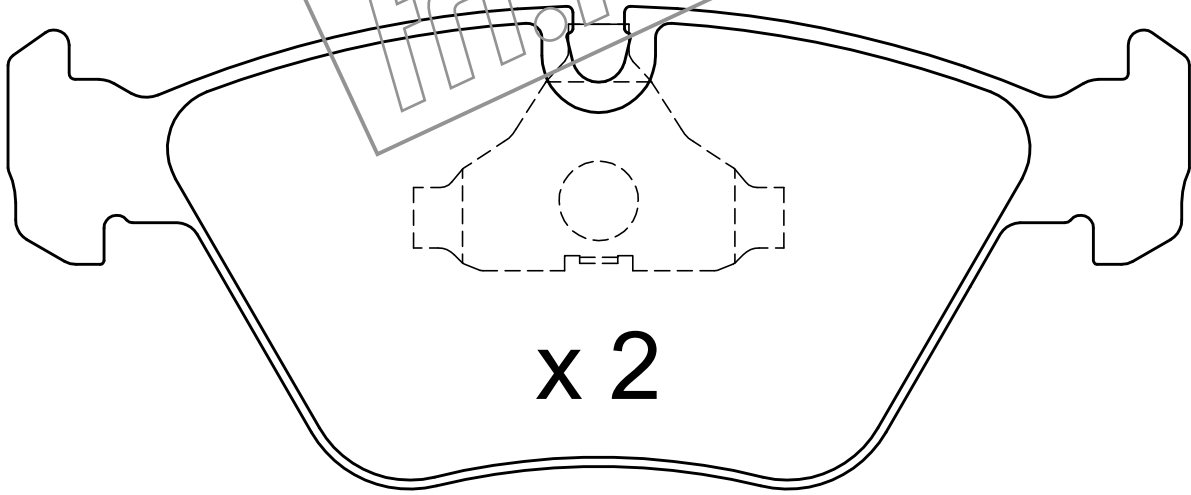


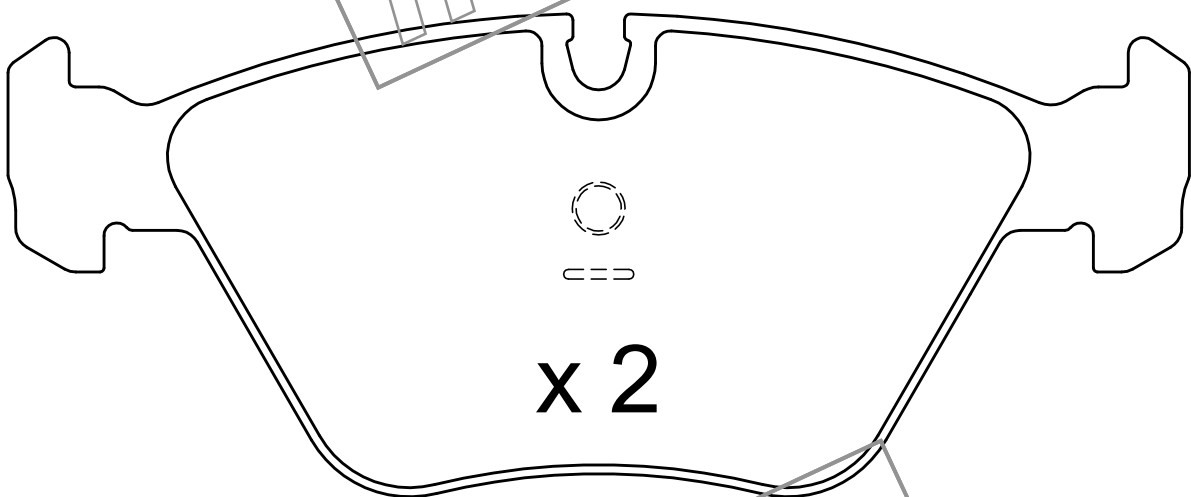
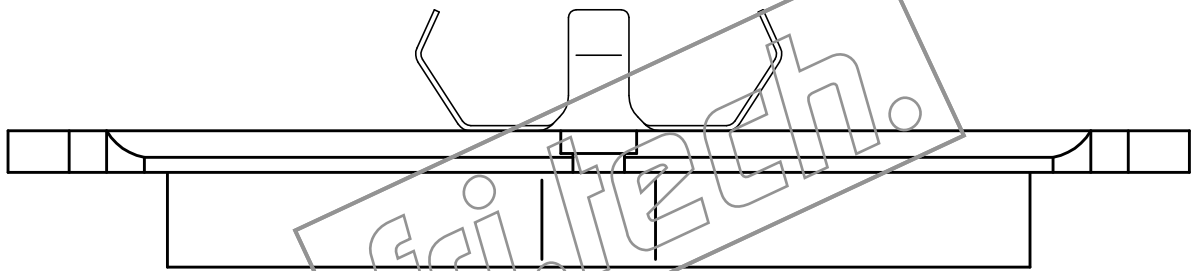
x 2



L = 265



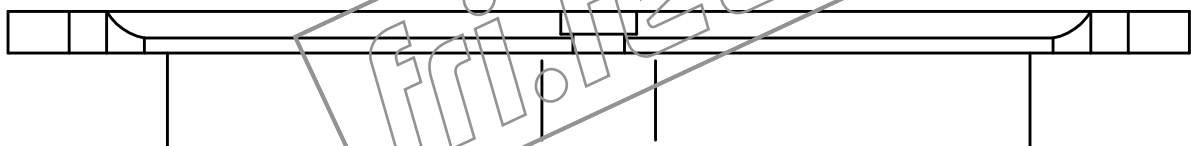
x 2



x 2

64.1

158.3



18