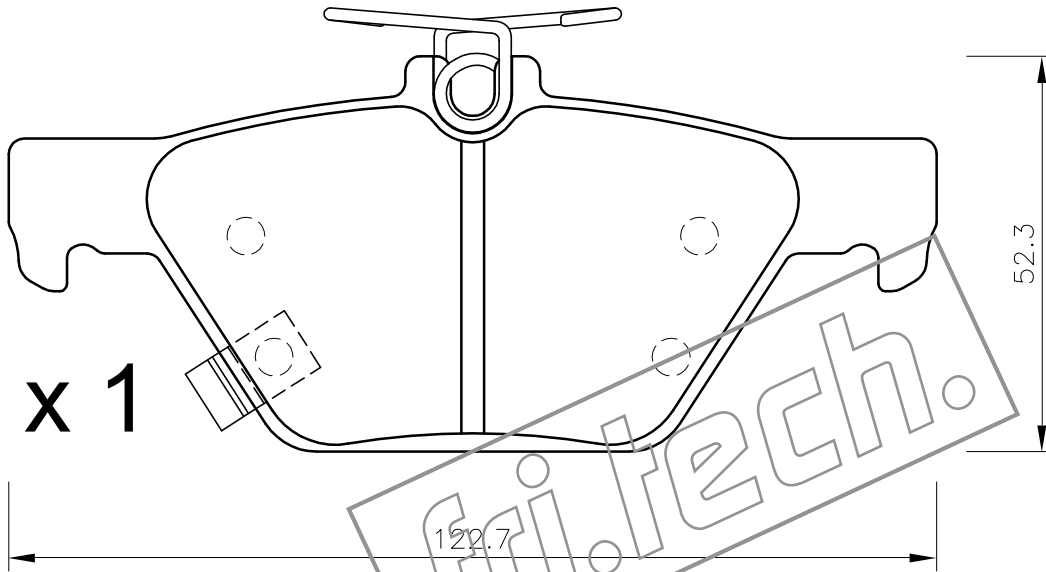
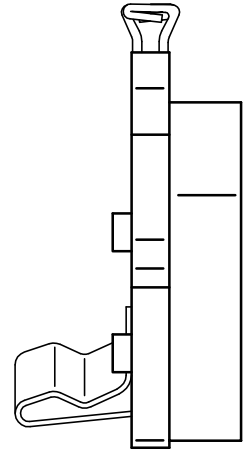
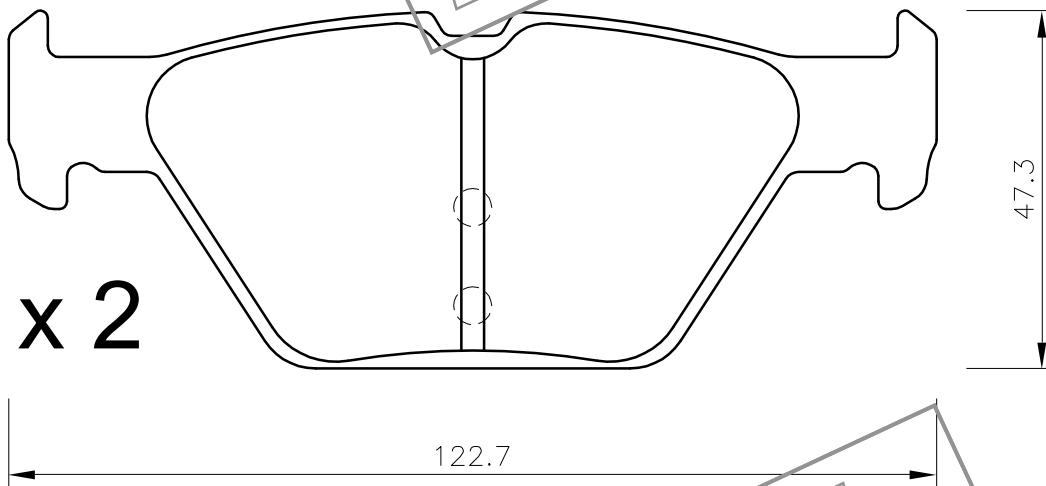
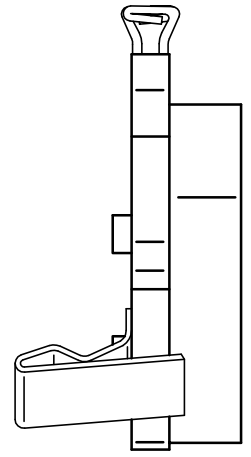


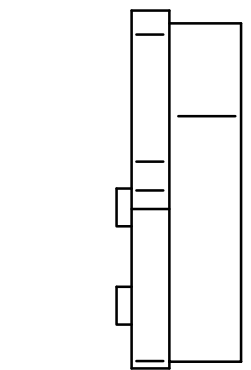
x 1



x 1



x 2



14.5

14.5

