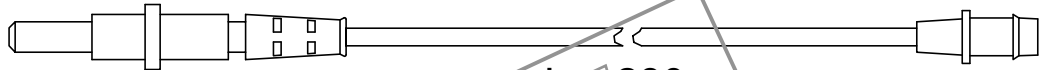
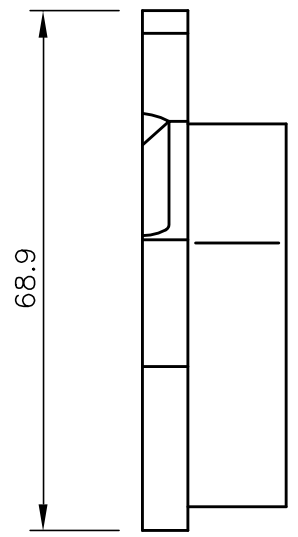
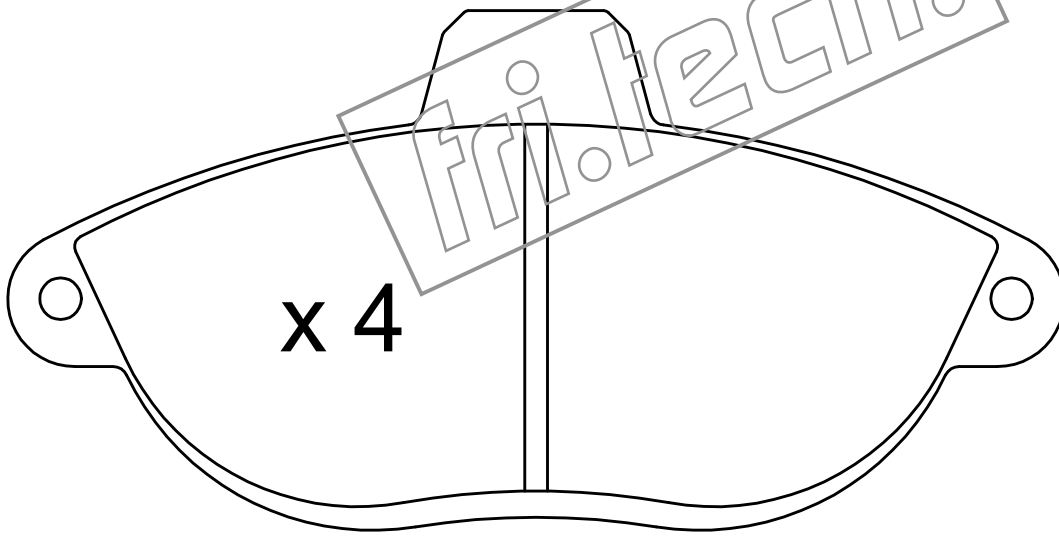


x 2



L = 280

x 4



68.9

19

140

fri.tech.

fri.tech.