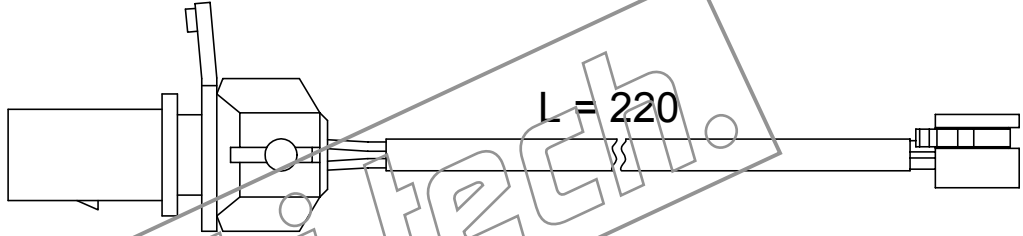
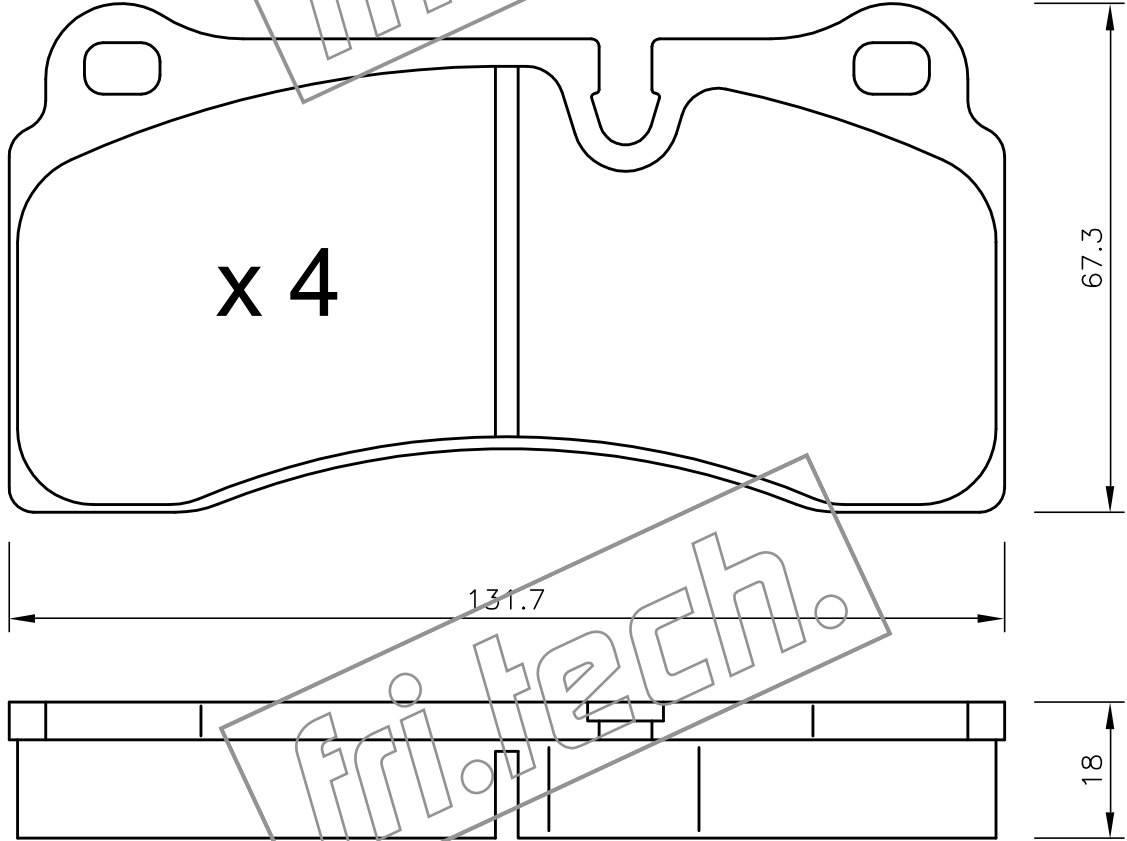


x 1



x 4



fri.tech.