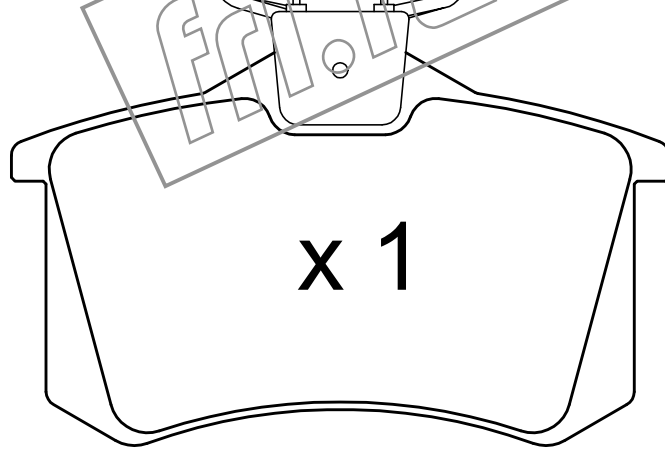
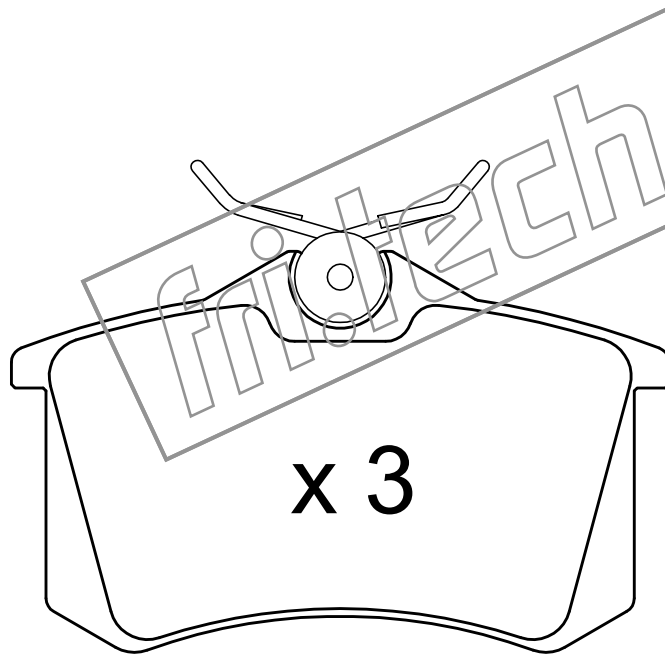
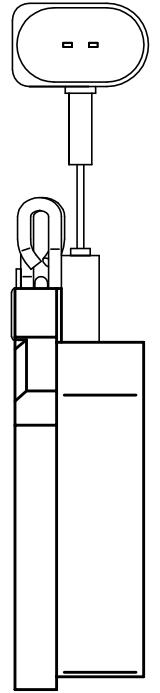


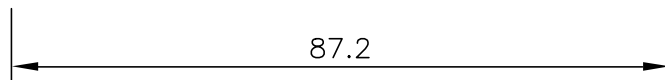
L = 205



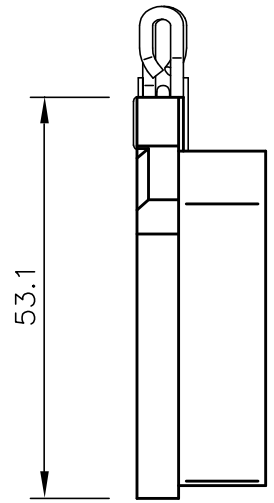
x 1



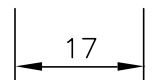
x 3



87.2



53.1



17

fri.tech.