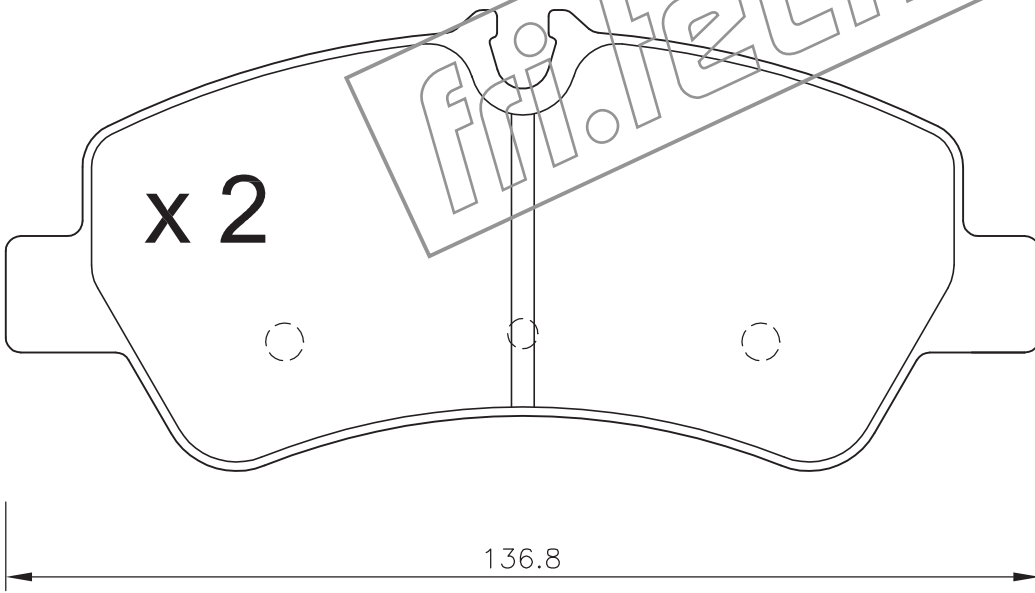


x 2

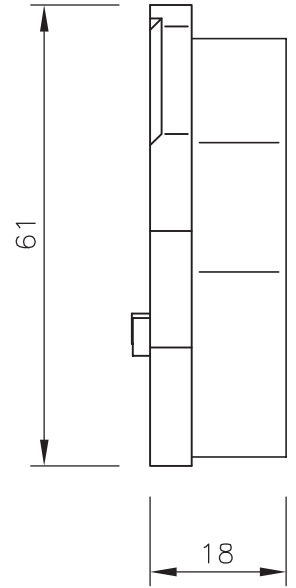


$L = 530$

x 2



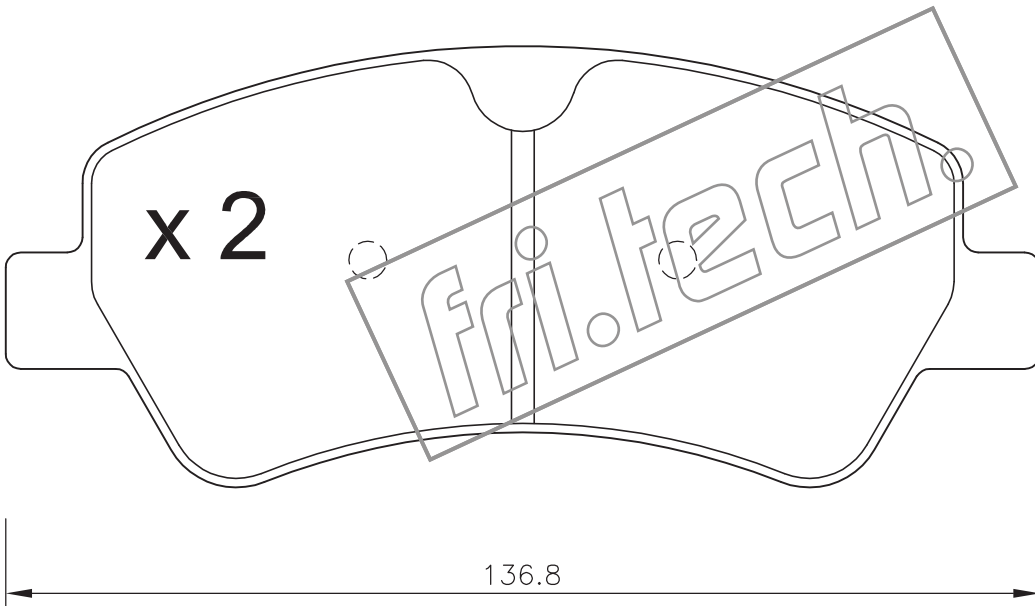
136.8



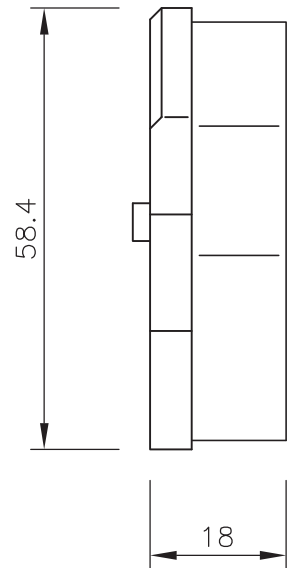
61

18

x 2



136.8



58.4

18

fri.tech.