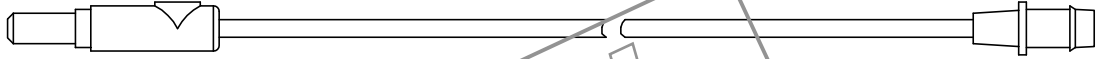
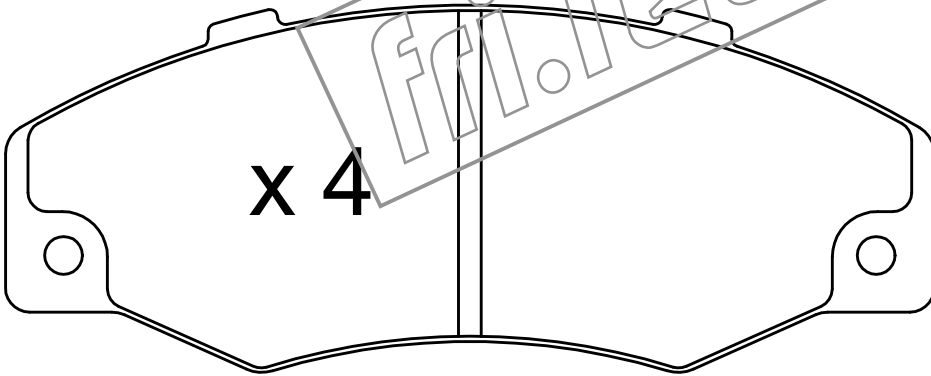


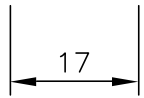
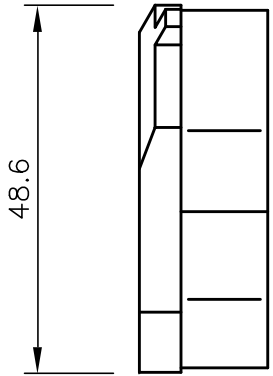
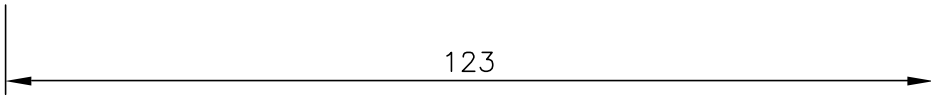
x 2



L = 380



x 4



fri.tech.

fri.tech.