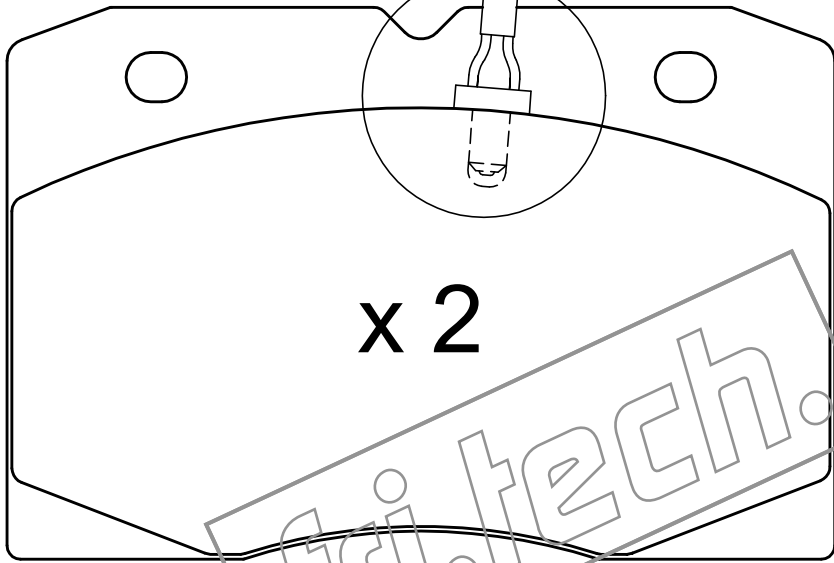
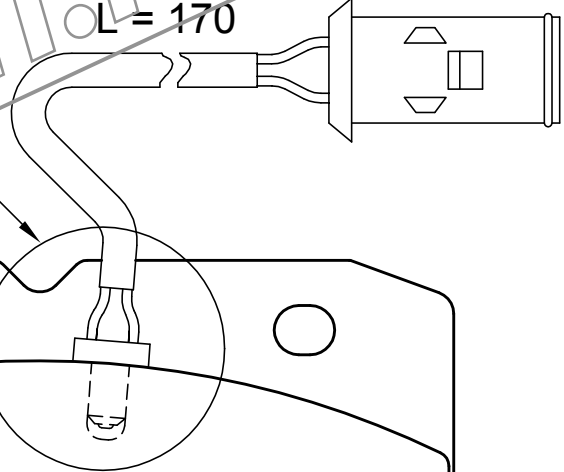


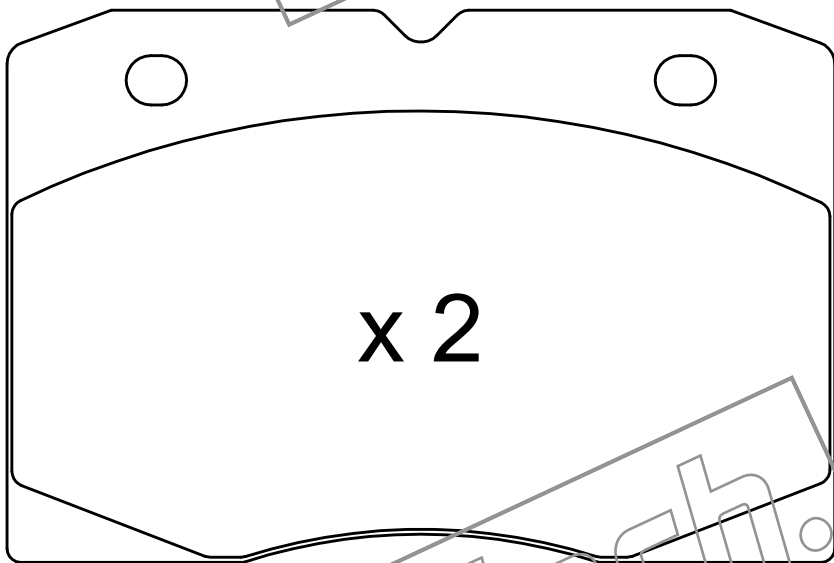
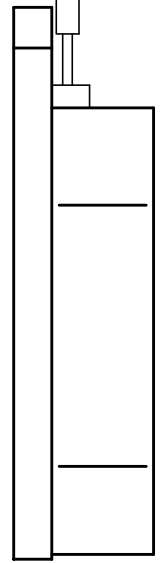
fri.tech.

L = 170



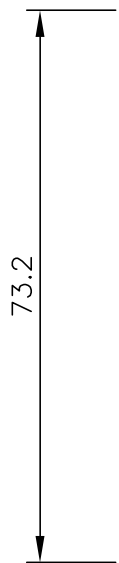
x 2

fri.tech.

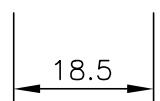
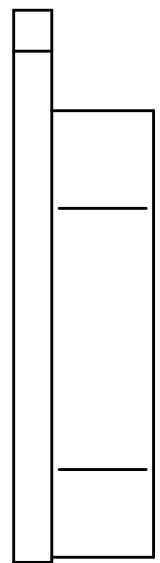


x 2

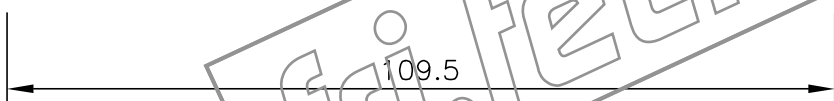
fri.tech.



73.2



18.5



109.5