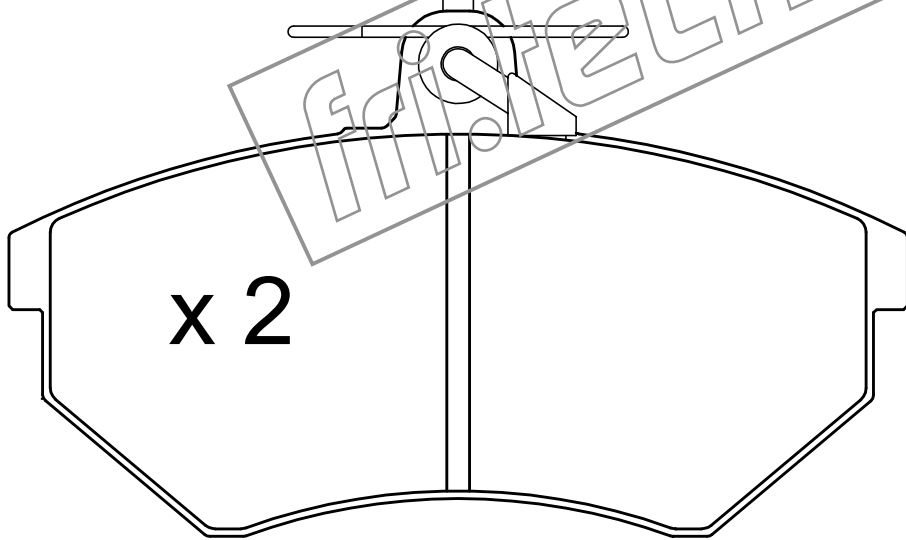
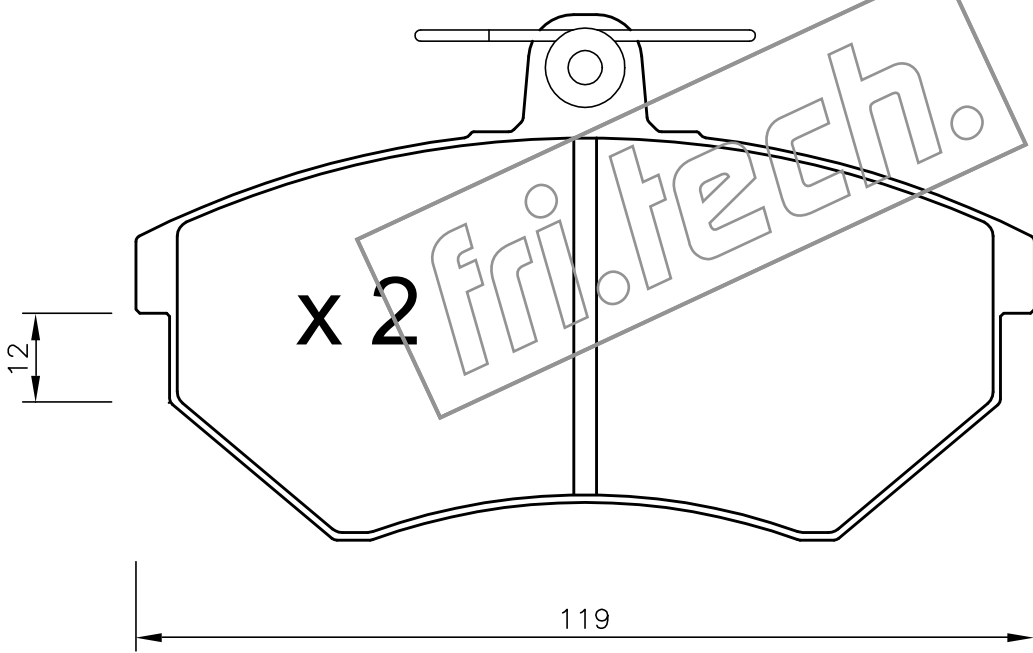
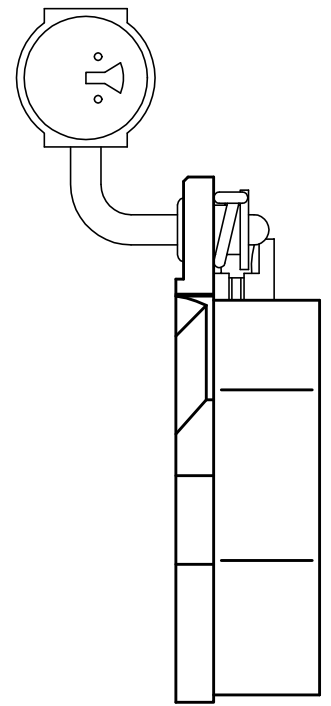


$L = 230$



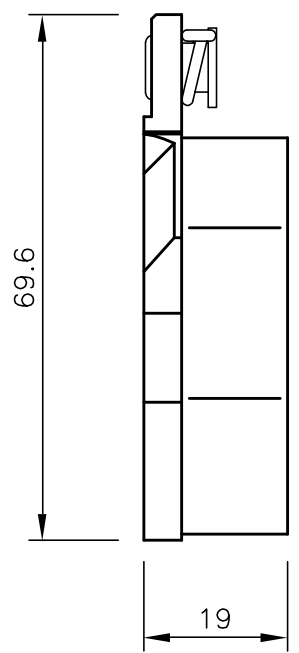
**x 2**



12

**x 2**

119



69.6

19

fri.tech.