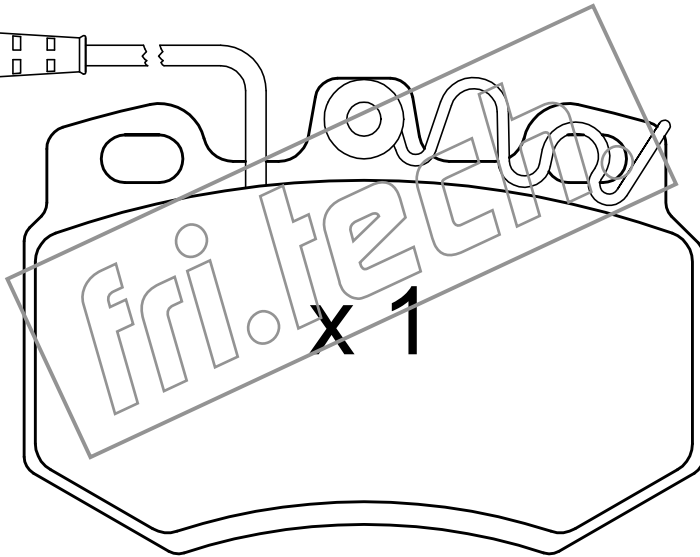
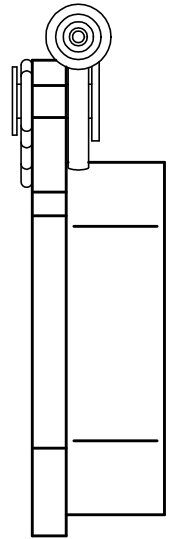


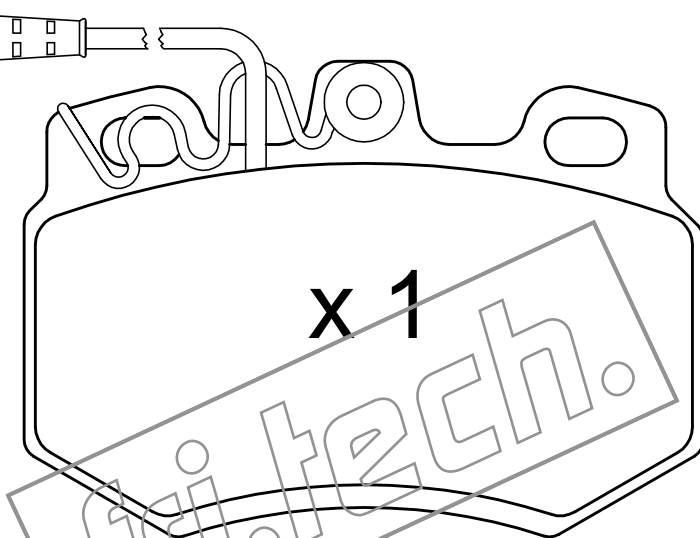
L = 315



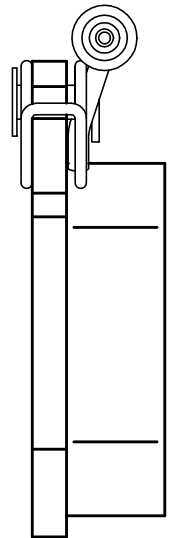
x 1



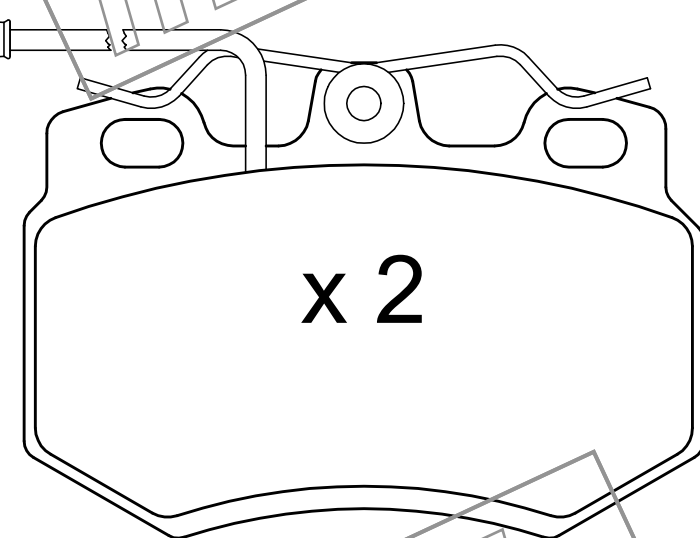
L = 315



x 1



L = 350



x 2

