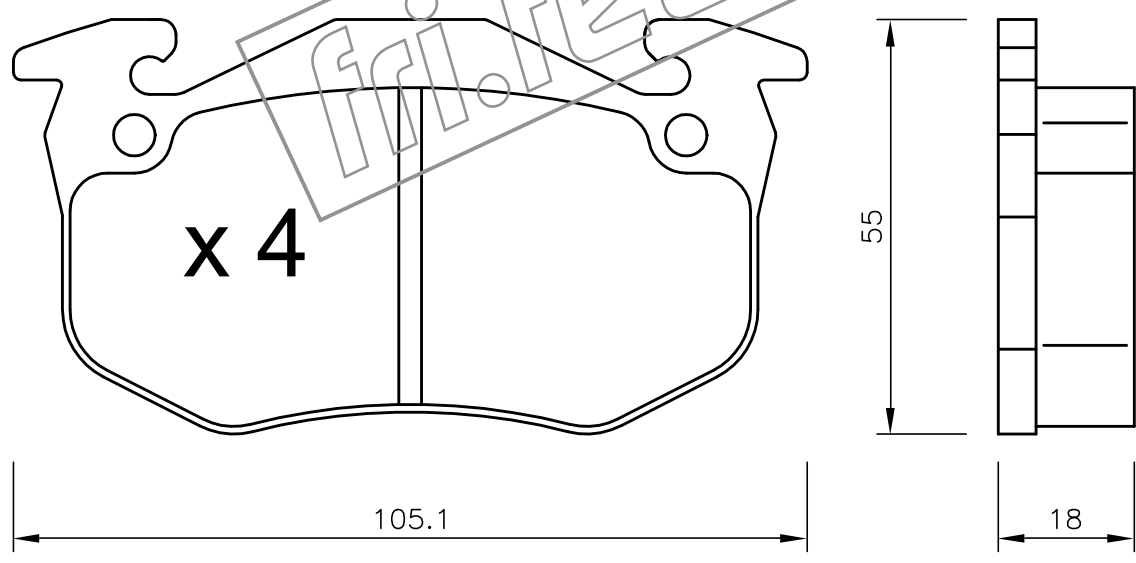


x 2 L = 140



fri.tech.

fri.tech.