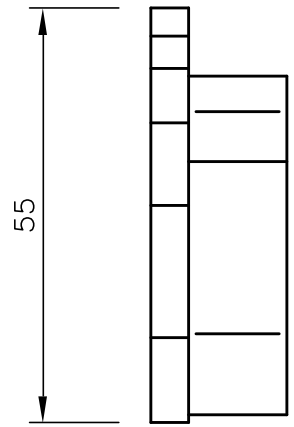
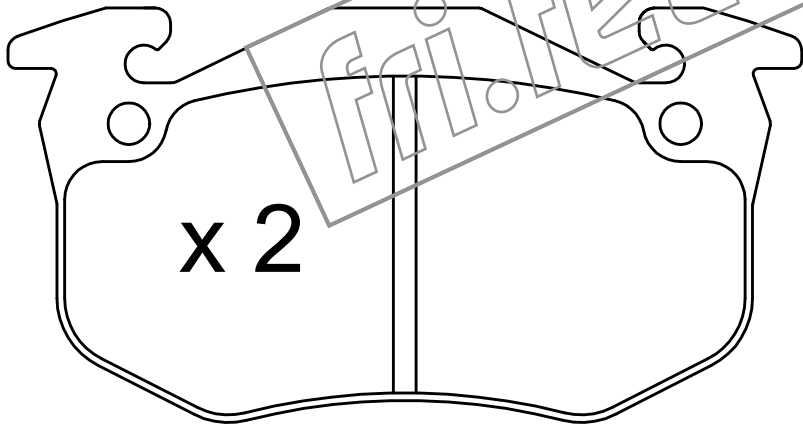
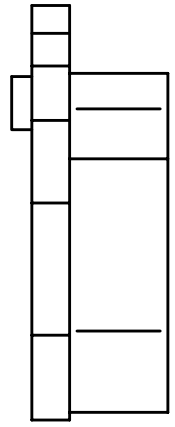
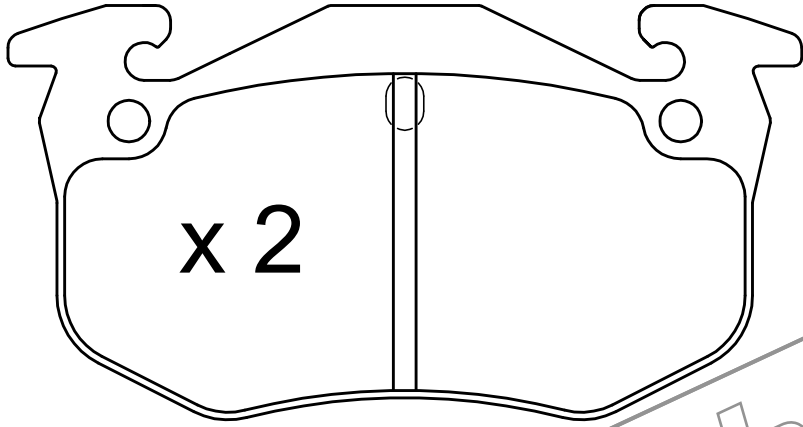


x 2 L = 160

x 2 L = 255



105.1

18

fri.tech.