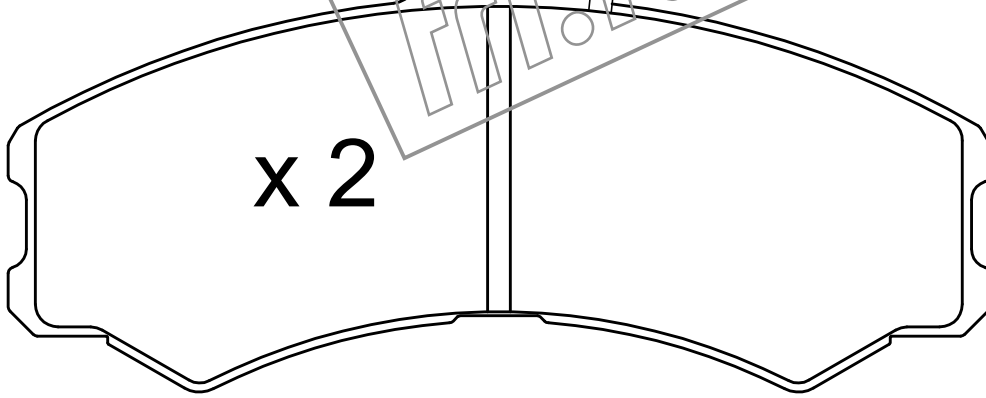
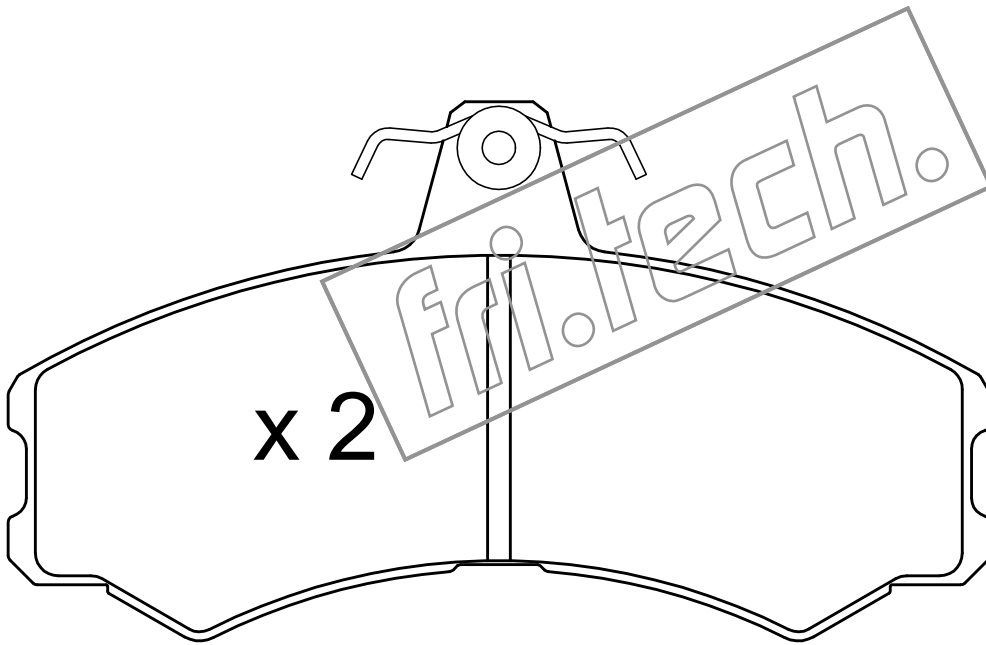
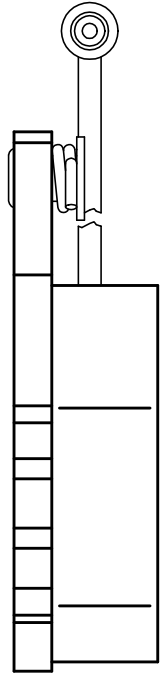


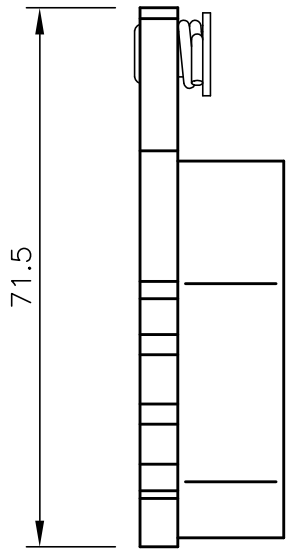
L = 120



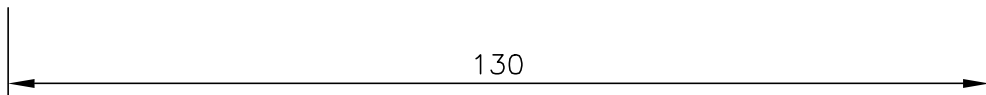
x 2



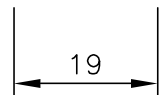
x 2



71.5



130



19

fri.tech.