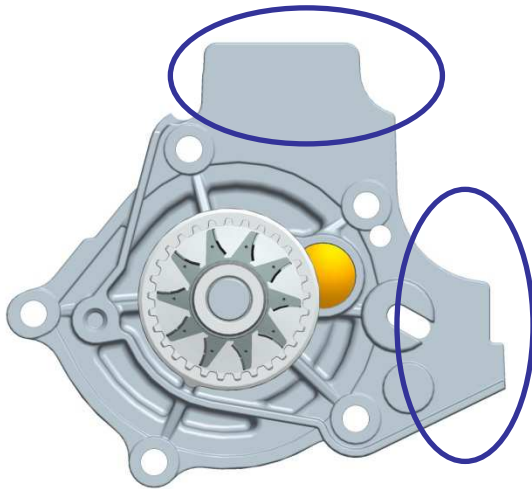


WATER PUMP TECHNICAL INFORMATION SHEET: PA1448A REPLACES PA1448.

PA1448

OE # 06H121026AB, 06H121026AF,
06H121026AG, 06H121026B, 06H121026N,
06J121026F, 06J121026G



NEW PA1448A

OE # 06H121026AB, 06H121026AF, 06H121026AG,
06H121026B, 06H121026N, 06J121026F, 06J121026G

New housing suitable also for the following
OE#:

**06H121026BA, 06H121026BE, 06H121026BF,
06H121026CC, 06H121026CF, 06H121026CH,
06J121026AG**



AVAILABLE

March 2014