

Atera SIGNO RT

Atera SIGNO RT

Justy G3X Reling 2004 –
XV Reling 01/2018 –

Suzuki
Ignis Reling 11/2000 – 01/2017
SX4 Reling 06/2006 –
Wagon R Reling 1997 –

Toyota
RAV4 Reling 08/2000 – 11/2005
RAV4 Reling 11/2005 – 03/2013
RAV4 Reling 03/2013 – 01/2019
Avensis Kombi Reling 05/2003 – 12/2008
Land Cruiser J15 2009 –

Volvo
V40 Kombi Reling 1996 – 08/2012
V50 Kombi Reling 04/2004 –
V70 Kombi Reling 03/2000 – 07/2007
V70 Kombi Reling 07/2007 –
XC70 Kombi Reling 09/2001 – 07/2007
XC70 Kombi Reling 08/2007 –
XC90 Kombi Reling 01/2003 – 06/2015

VW
Passat Reling 1997 – 11/2014
Golf V Cross Reling 02/2007 –
(Markierung Innenseite Reling beachten!)
Golf VI Plus Reling 03/2009 – 05/2014
(Markierung Innenseite Reling beachten!)
Golf V Variant Reling 05/2007 – 09/2009
Golf VI Variant Reling 09/2009 – 08/2013
Caddy 3 Reling 09/2010 – 06/2015
Caddy 4 Reling 06/2015 –
Caddy Maxi 4 Reling 06/2015 –
Caddy Alltrack Reling 03/2016 –

Mazda
CX 9 Reling 2009 –

Mercedes Benz
M-Klasse W163/164 Reling 2007 – 11/2011
M-Klasse W166 Reling 11/2011 –
GL X166 Reling 11/2012 – 04/2016
GLS X166 Reling 04/2016 –
GLE W166 Reling 09/2015 – 04/2019
GLE V167 Reling 04/2019 –
X-Klasse Reling W470 11/2017 –

Mitsubishi
Pajero (3+5-türig/doors) Reling 02/2007 –
Outlander Reling 02/2007 – 10/2012

Nissan
Murano Reling 05/2003 – 10/2008
Qashqai Reling 03/2010 – 02/2014
Qashqai 2 Reling 10/2008 –


Opel
Combo Reling 09/2018 –

Peugeot
Rifter Reling 09/2018 –

Renault
Koleos Reling 09/2008 – 06/2017
Alaskan Reling 11/2017 –

Ssangyong
Rexton Reling 11/2017 –

VW
Sharan Reling 1995 – 09/2010
Touran Reling 01/2003 – 09/2015
Touran Cross Reling 03/2007 –

 **048 137 / 048 237**
Passend für Fahrzeugtyp: Baujahr:
Suitable for vehicle type: Model year:

BMW
X3 Reling 2003 – 11/2010
X5 Reling (nicht/not Individual) 2000 – 11/2013


Citroën
C Crosser Reling 07/2007 –
Berlingo XTR Reling 04/2009 – 09/2018

Fiat
Panda Reling 09/2003 – 02/2012
Panda Cross Reling 02/2006 – 02/2012
Fiorino Reling 02/2008 –

Ford
Mondeo Turnier Reling 06/2007 – 02/2012
Kuga Reling 05/2008 – 03/2013
Kuga Reling 03/2013 –
Galaxy Reling 1995 – 05/2006
Ranger Doppelkabine (Wildtrak) 03/2012 –

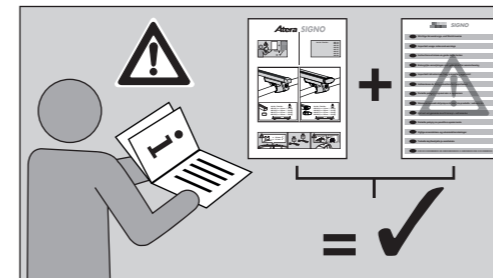
Jeep
Renegade 10/2014 –

Kia
Sorento Reling 12/2009 – 10/2012

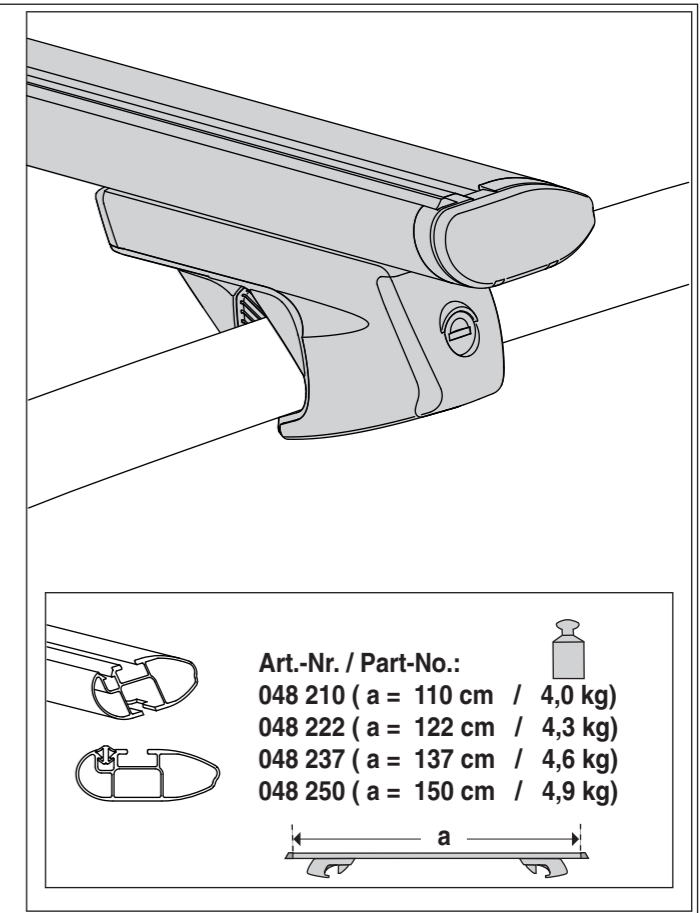
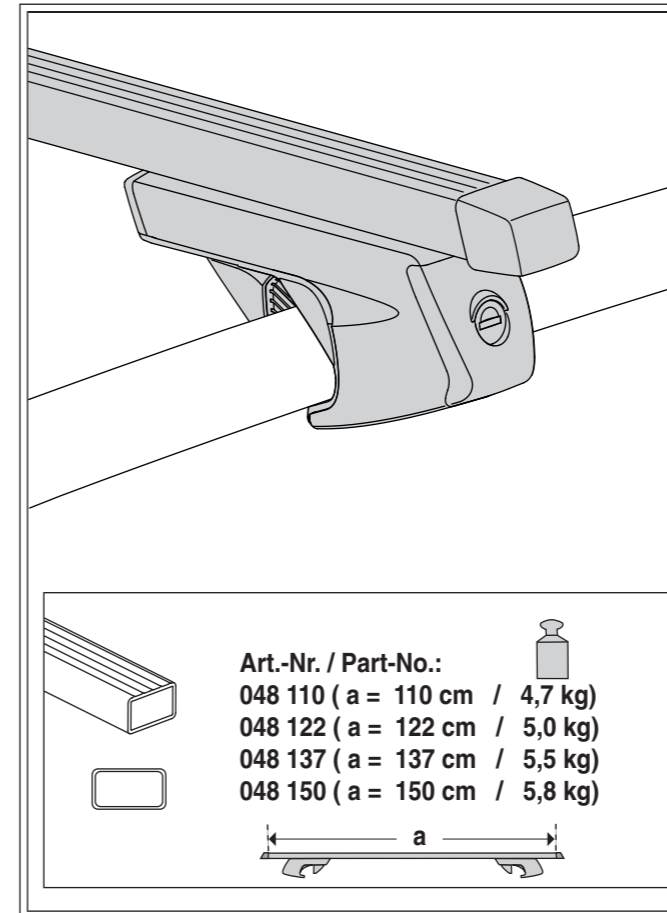
 **048 150 / 048 250**
Passend für Fahrzeugtyp: Baujahr:
Suitable for vehicle type: Model year:

Honda
FR-V Reling 2004 –

Mercedes Benz
Vito Reling 1996 –
Viano Reling 1996 –

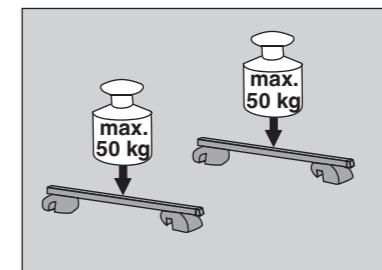
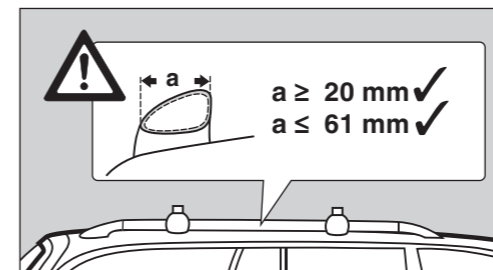


Art.-Nr. / Part-No.:	
	048 110
	048 210
	048 122
	048 222
	048 137
	048 237
	048 150
	048 250



Atera Atera GmbH
Im Herrach 1
D-88299 Leutkirch
Internet: www.atera.de

Ref.-Nr.: 048 110_096444811000_992570042500
Ref.-Nr.: 048 122_096444812200_992570042500
Ref.-Nr.: 048 137_096444813700_992570042500
Ref.-Nr.: 048 150_096444815000_992570042500
Ref.-Nr.: 048 210_096444821000_992570042500
Ref.-Nr.: 048 222_096444822200_992570042500
Ref.-Nr.: 048 237_096444823700_992570042500
Ref.-Nr.: 048 250_096444825000_992570042500
Stand/State: 14/06/2019 - © ATERA GmbH Rev 00 Ver 23





D Inhalt **GB** Contents **F** Sommaire **NL** Inhoud **I** Indice **E** Índice **CZ** Obsah
PL Zawartość **RO** Conținut **SK** Obsah **DK** Indhold **FIN** Sisältö **RUS** Содержание



D Lieferumfang / Ersatzteilübersicht **GB** Scope of delivery / spare part overview **F** Pièces fournies à la livraison / liste des pièces détachées **NL** Omvang van de levering / Overzicht van de reserveonderdelen **I** Dotazione di fornitura / panoramica pezzi di ricambio **E** Volumen de suministro / resumen de piezas **CZ** Součást dodávky / Přehled náhradních dílů **PL** Zakres dostawy / zestawienie części zamiennych **RO** Volumul livrării / Prezentarea generală a pieselor de schimb **SK** Súčasť dodávky/Přehľad náhradných súčastí **DK** Leveringsomfang/Reservedelsoversigt **FIN** Toimituslaajuus/Varaosat **RUS** Комплект поставки / обзор запасных частей



D Montageinformation **GB** Installation information **F** Informations pour le montage **NL** Montage-informatie **I** Informazioni di montaggio **E** Información de montaje **CZ** Informace k montáži **PL** Informacja dotycząca montażu **RO** Informație de montaj **SK** Informácie o montáži **DK** Monteringsinformation **FIN** Asennustietoja **RUS** Сведения о монтаже

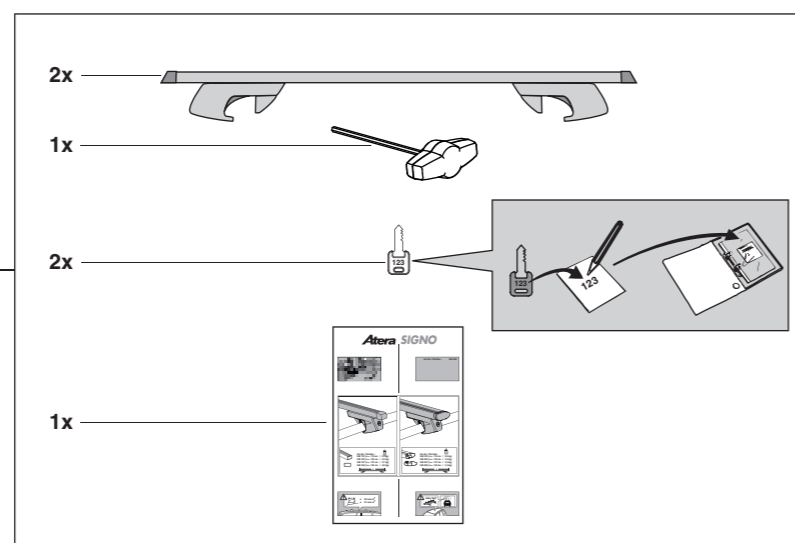


D Fahrzeugverwendungsliste **GB** Vehicle usage list **F** Liste des véhicules compatibles **NL** Lijst van te gebruiken voertuigen **I** Elenco veicoli compatibili **E** Lista de vehículos compatibles **CZ** Seznam pro použití vozidla **PL** Lista pojazdów, do których pasują bagażniki **RO** Indicații de utilizare ale vehiculului **SK** Zoznam na použitie vozidla **DK** Passer til følgende biler **FIN** Ajoneuvokäyttöluettelo **RUS** Для использования с автомобилями



D Änderungen bezüglich Konstruktion, Ausstattung, Farbe sowie Irrtum bleiben vorbehalten. Abbildungen sind unverbindlich. **GB** Right reserved to make changes to design, configuration and colour – errors and omissions excepted. The illustrations are non-binding **F** Sous réserve de modifications de la construction, de l'équipement et de la couleur. Les illustrations ne sont pas contractuelles. **NL** Wijzigingen in de constructie, uitrustingen, kleur en vergissingen blijven voorbehouden. Afbeeldingen zijn vrijblijvend. **I** Ci si riserva il diritto di apportare modifiche in relazione alla struttura, all'equipaggiamento e al colore, nonché la possibilità di errori e omissioni. Le illustrazioni fornite non sono vincolanti. **E** Reservado el derecho a realizar cambios relacionados con la construcción, el equipamiento, el color y debido a error. Las figuras son sin compromiso. **CZ** Změny týkající se konstrukce, vybavení, barvy a chyb jsou vyhrazeny. Vyobrazení jsou nezávazná. **PL** Zastrzega się prawo wprowadzania zmian konstrukcji, wyposażenia, koloru a także możliwość pomyłki. Ilustracje są niewiążące. **RO** Compania producătoare își rezervă toate drepturile în legătură cu construcția, echiparea, culoarea precum și cu posibilitatea unor erori. Ilustrațiile nu angajează compania. **SK** Zmeny týkajúce sa konštrukcie, vybavenia, farby a chýb sú vyhradené. Vyobrazenia sú nezáväzná. **DK** Ændringer vedrørende konstruktion, udstyr, farve samt fejltagelser forbeholdes. Afbildningerne er ikke bindende. **FIN** Rakennetta, varustelua, väriä koskevat muutokset sekä virheet mahdollisia. Kuvat ovat sitoumuksetta. **RUS** Возможны изменения конструкции, оснащения, цвета, а также ошибки. Иллюстрации приведены без обязательств.

Art.-Nr. / Part-No:	
048 110	048 210
048 122	048 222
048 137	048 237
048 150	048 250



INFO



048 110 / 048 210

Passend für Fahrzeugtyp:
Suitable for vehicle type:

Baujahr:
Model year:

Chevrolet	
Spark Reling	03/2010 –
Dacia	
Logan Kombi Reling	01/2007 –
Ford	
Focus Turnier Reling	1999 – 12/2004
Hyundai	
i30 CW Reling	04/2008 – 09/2012
Tucson Reling	2004 – 03/2010
Matrix Reling	09/2001 –
Santa Fe Reling	2000 – 03/2006
Peugeot	
406 Break Reling	1996 –
Subaru	
Impreza Reling	1993 – 03/2013
Legacy Outback Reling	1996 – 10/2003
Toyota	
Avensis Kombi Reling	1998 – 05/2003
Yaris Verso Reling	11/1999 –
VW	
Polo Cross Reling	01/2006 – 06/2010



048 122 / 048 222

Passend für Fahrzeugtyp:
Suitable for vehicle type:

Baujahr:
Model year:

Audi	
A4 Avant Reling	09/2001 – 03/2008
A6 Avant Reling	03/1998 – 03/2005
A6 Allroad Reling	05/2000 – 06/2006
BMW	
3er Touring Reling	09/2005 – 09/2012
5er Touring Reling	1997 – 09/2010
Chevrolet	
Cruze SW Reling	2012 –
Captiva Reling	06/2006 –
Chrysler	
300C Touring Reling	2006 –
Citroën	
C3 Picasso Reling	03/2009 –
Berlingo Multispace Reling	2009 – 09/2018
C5 Tourer Kombi Reling	04/2008 –
(Markierung Innenseite Reling beachten!)	
C5 Crosstourer	06/2014 –
C3 Aircross Reling	11/2017 –
C5 Aircross Reling	02/2019 –
Dacia	
Dokker Reling	03/2013 –
Dokker Stepway Reling	11/2017 –
Duster Reling	04/2010 – 01/2014
Sandero Stepway Reling	10/2009 –
Fiat	
Freemont Reling	02/2008 –
Sedici Reling	05/2006 –
Ford	
Mondeo Turnier Reling	06/2007 – 02/2012
Grand C Max Reling	11/2010 –
Focus Turnier Reling	01/2008 – 04/2011
Tourneo Courier Reling	06/2014 –

Honda	
Accord Tourer Reling	03/2003 –
Hyundai	
Santa Fe Reling	02/2010 – 09/2012
i20 Active	01/2016 –
Infinity	
QX70 Reling	01/2013 –
Jeep	
Cherokee Reling	10/2001 – 11/2008
Cherokee Reling	07/2014 –
Kia	
Cee'd Sportswagon Reling	09/2007 – 09/2012
Stonic Reling	09/2017 –
Mazda	
MPV Reling	11/1999 –
5 Reling	06/2005 – 10/2010
Demio Reling	08/1998 –
Premacy Reling	06/1999 – 2005
6 Kombi Reling	2003 –
626 Reling	08/2002 –
Mercedes Benz	
E-Klasse T-Modell S211 Reling	03/2003 – 11/2009
E-Klasse T-Modell S212 Reling	11/2009 – 10/2016
C-Klasse S204 Reling	12/2007 –
GLK X204 Reling	10/2008 –
Nissan	
Murano Reling	10/2008 –
X-Trail	07/2014 – 08/2017
X-Trail	08/2017 –
Navara NP300 DC Reling	02/2016 –
Opel	
Omega Caravan Reling	1994 – 2003
Zafira Reling	04/1999 – 07/2005
Antara Reling	09/2006 –
Peugeot	
207 SW Reling	06/2007 –
307 SW Reling	04/2002 –
308 SW Reling	05/2008 – 05/2014
407 SW Reling	08/2004 –
Partner Reling	05/2008 –
Partner Tepee Reling	05/2008 –
Mini	
Countryman	02/2017 –
Porsche	
Cayenne Reling	2003 – 03/2010
Renault	
Scenic Xmod Reling	05/2013 –
Clio Grandtour Reling	01/2008 –
Megane Grandtour Reling	09/2003 – 09/2016
Laguna Grandtour Reling	01/2008 –
Grand Scenic Reling	05/2013 – 12/2016
Seat	
Exeo ST Reling	09/2009 –
Skoda	
Fabia Kombi Reling	12/2007 – 01/2015
Roomster Reling	07/2006 –
Praktik Reling	03/2007 –
Suberb Kombi Reling	01/2010 – 09/2015
Yeti Reling	08/2009 –
Ssangyong	
Rodius Reling	07/2013 –
Rexton Reling	2004 – 11/2017
Korando Reling	1998 –
Subaru	
Forrester Reling	04/2008 – 03/2013

Atera SIGNO RT

nur bei Art.Nr.
only for Part. no.:
048 210
048 222
048 237
048 250

1

2

6

nur bei Art.Nr.
only for Part. no.:
048 110
048 122
048 137
048 150

7

?

50 km → CLICK

500 km → CLICK

1000 km → CLICK

1500 km → CLICK

...

min. 1x CLICK
= 6 Nm = ok. ✓

8

Atera SIGNO RT

1 (a,b,c,d) 2 3a 4 (a,b) 5 (a,b,c,d) 6 3b 7 (a,b,c,d) 8 9 10 11 12 13 14

1-a	9945700222 (110 cm)
1-b	9945700223 (122 cm)
1-c	9945700224 (137 cm)
1-d	9945700225 (150 cm)
2-	9918700798
3-a	9919700143
3-b	9919700143
4-a	8828700062 (links/left)
4-b	8828700063 (rechts/right)
5-a	8828700067 (110 cm)
5-b	8828700068 (122 cm)
5-c	8828700069 (137 cm)
5-d	8828700070 (150 cm)
6-	9918700790
7-	8832700324
8-a	9945700373 (110 cm)
8-b	9945700374 (122 cm)
8-c	9945700375 (137 cm)
8-d	9945700376 (150 cm)
9-	9945700105
10-	9918700791
11-	9922700316
12-	9922700043 (0969999958)
13-	8830700384
14-	9936700178

INFO

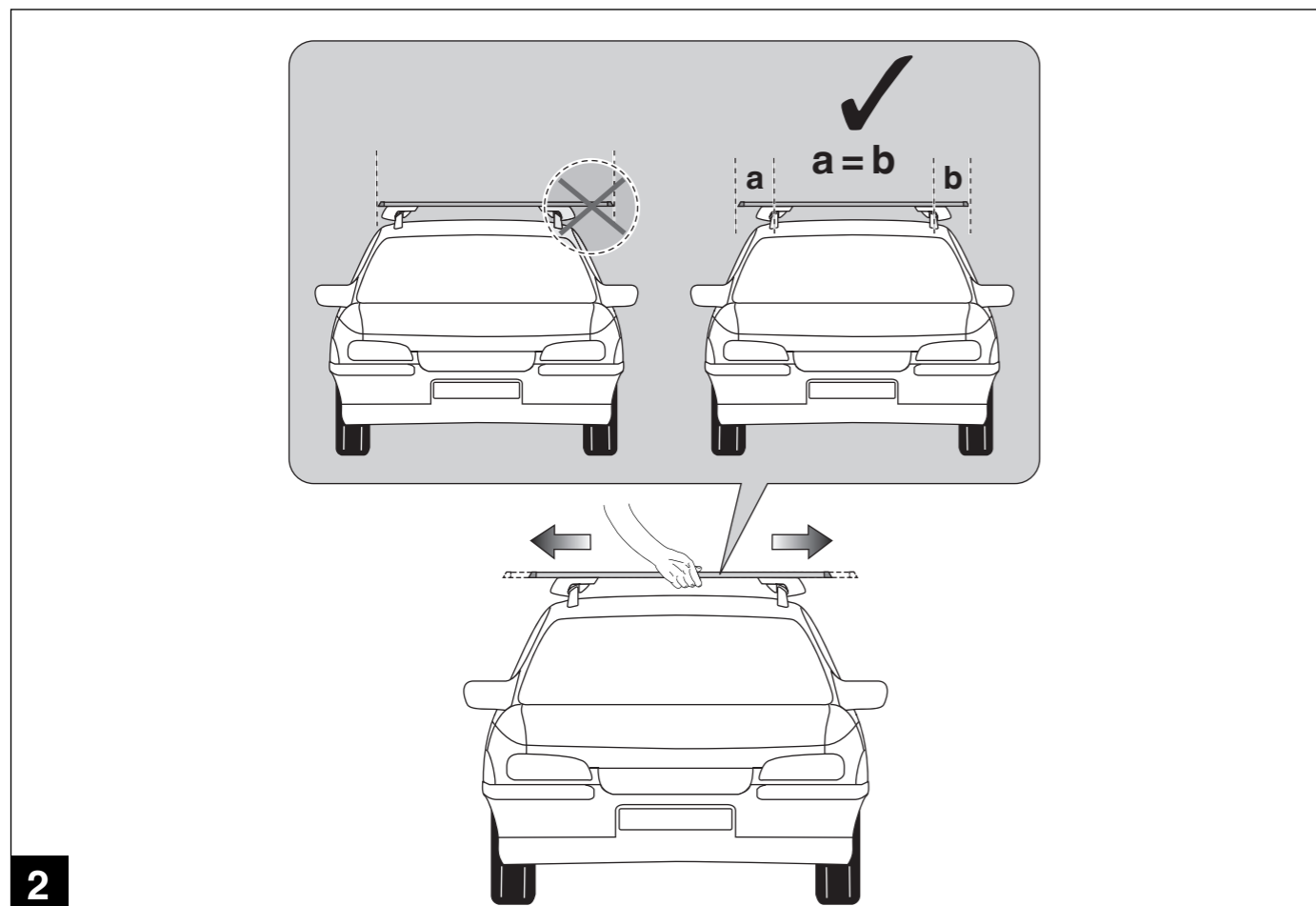
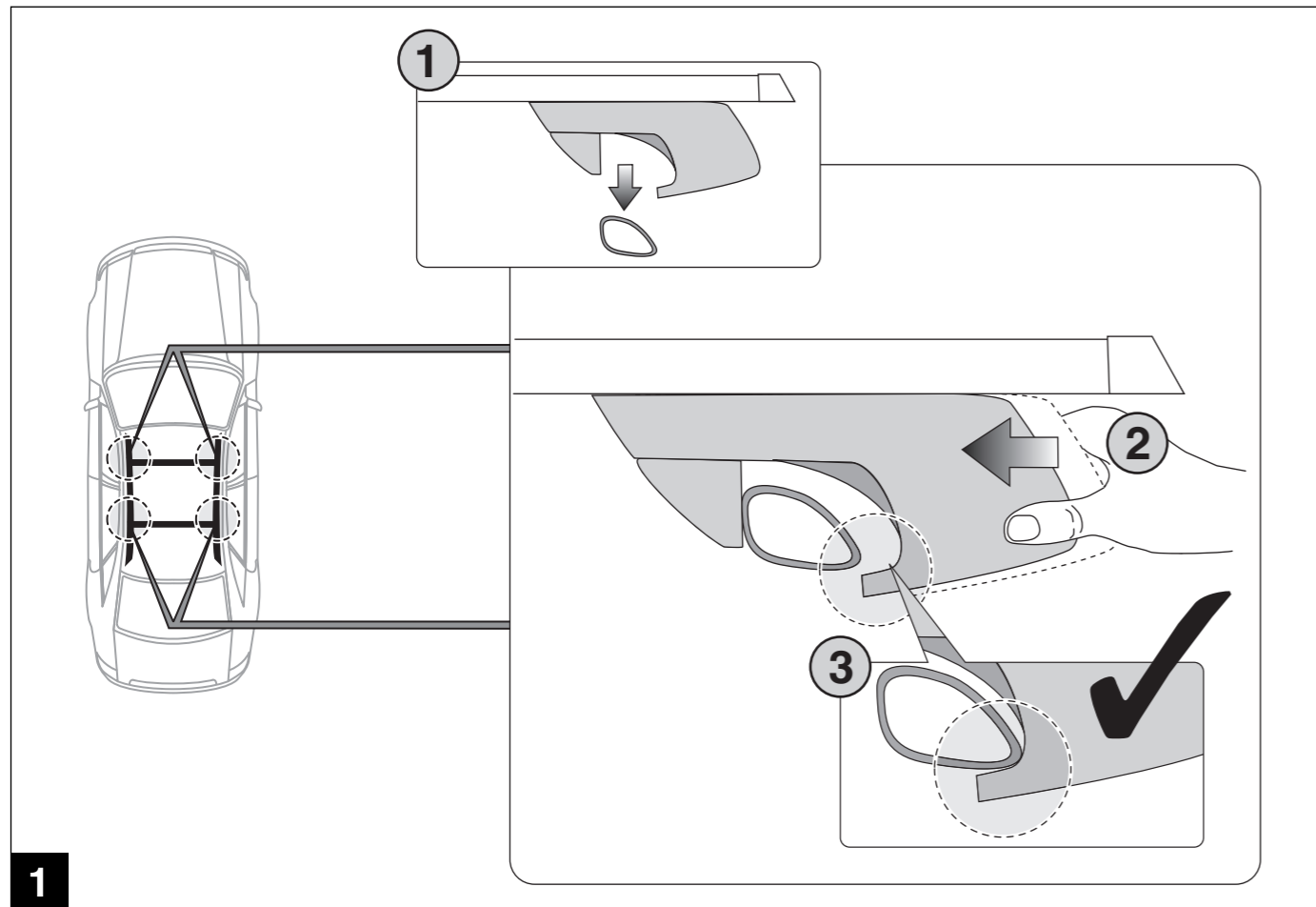
ca. 700 mm

INFO

nur bei/Art.Nr.
only for/Part. no.:
048 210
048 222
048 237
048 250

INFO

Atera SIGNO RT



Atera SIGNO RT

