

SERVICE INFO



2.5 TDI injection pump drive from Volkswagen AG – assembly instructions for tensioner pulley 531 0573 30

Vehicle manufacturers: Audi, Skoda, Volkswagen

Models:

Audi: A4, A6, A8
Skoda: Superb
VW: Passat

Engine: 2.5 TDI

OE Nos.: 059 109 243 F (replaced)
059 109 243 G (replaced)
059 109 243 L (new)

Part No.: 531 0573 30

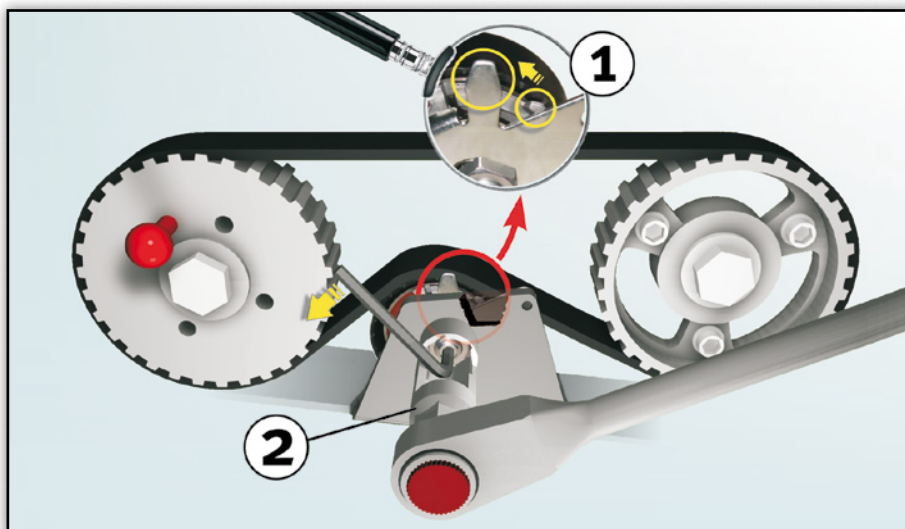


Image 1: Drive and item overview, tensioner pulley and special tool

Tool information:

Use a special tool to assemble the tensioner pulley (22mm cutaway hexagonal socket e.g. Klann KL-0369-10)

Notes on assembling the tensioner pulley:

- 1) Mount tensioner pulley 531 0573 30 to the attachment point
- 2) Position the timing belt (note running direction!)
- 3) Attach cutaway hexagonal 22mm socket (see tool information) and an allen key (see image 1 point 2)
- 4) Turn the allen key anti-clockwise until the markings are one above the other (see detailed view 1 in Image 1)
- 5) Hold the allen key in this position and tighten the attachment nut using the

cutaway hexagonal socket (tightening torque: **37 Nm ± 3 Nm**)

- 6) Once all work on the timing belt drive is complete, manually turn the crankshaft through at least 2 revolutions and check the TDC markings again. Retensioning may be necessary.

Notes:

Tensioner 531 0573 30 is assembled behind the mounting bracket. The Hexagon fitting on the back face is not intended for assembly or adjustment.



Note the specifications of the vehicle manufacturer!

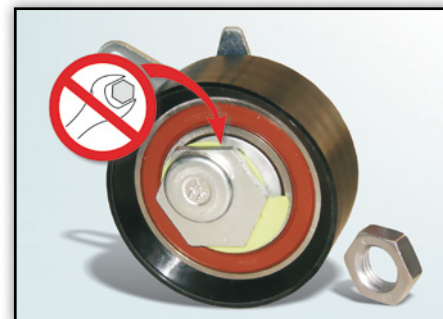


Image 2: The hexagon fitting on the back of the tensioner pulley has no function

Any reference to replacement part numbers for vehicle manufacturers is for comparison purposes only.

Appropriate spare parts can be found in our on-line catalogue at www.Schaeffler-Aftermarket.com or in RepXpert at www.RepXpert.com.

Issued 07.2010

INA 0063

Subject to technical changes

© 2010 Schaeffler Automotive Aftermarket

For further information:

Phone: +44 (0) 14 32 264 264*

Fax: +44 (0) 14 32 375 760

Info@LuK-AS.co.uk

www.Schaeffler-Aftermarket.com

* Calls from within the UK 08457 001100

