



INA Service Info



Front end accessory unit drives

Concealed technology ensures quiet operation

Technical background:

The engine combustion cycle accelerates and decelerates the rotary motion of the crankshaft. This rotational imbalance is transferred to the front end accessory unit drive.

As a result, the belt is subjected to strong vibrations (see image 1) causing unpleasant juddering noises. Increased torque fluctuations and extreme forces can occur on the alternator in particular.

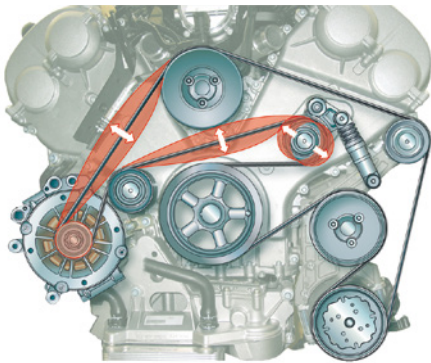


Image 1: Sample assembly drive — Illustration of vibrations caused by the use of a conventional rigid belt pulley on an alternator

As these belt pulleys are exposed to wear in the same manner as tensioner pulleys, deflection pulleys and belts, Schaeffler Automotive Aftermarket recommends replacing the overrunning alternator pulley (OAP)/the decoupler (OAD) when replacing the components in the assembly drive.

Two key pieces of technology have been circulated and tested with the aim of combating these negative effects on the assembly drive:

- 1) Overrunning alternator pulley (OAP)
- 2) Decoupler (OAD)

These components will enhance driving comfort, and also improve the service life of belt drive components and fuel consumption.

Various designs are used depending on the vehicle, engine and equipment. Please refer to our catalogue to ensure you choose the correct overrunning belt pulley.

For a long time, the rigid belt pulley (image 2) was the standard pulley used on an alternator. With a design predating V-ribbed pulleys with one groove, the rigid belt pulleys have been developed further so that they can be used with modern V-ribbed belts with multiple grooves. The sole function of the rigid belt pulley is to drive the alternator by means of the looped belt. The belt only needs to be replaced in the event of damage, corrosion or significant wear and tear unless the vehicle manufacturer recommends replacement at a service interval.



Image 2: Rigid belt pulley

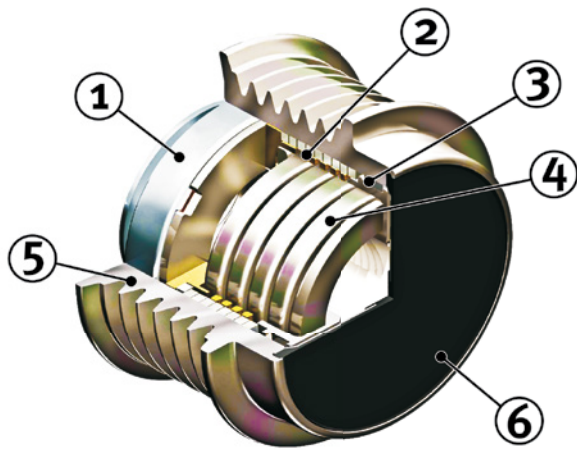


Image 3: Decoupler

- (1) Ball bearing
- (2) Clutch
- (3) Friction bearing
- (4) Torsion spring
- (5) Outer ring with moulded race
- (6) Cover

A decoupler is an alternator belt pulley that powers the alternator by means of a „soft“ torsion spring. It absorbs the rotational imbalance, thus preventing torque fluctuations. The dynamic forces on the component bearing points within the assembly drive decrease, while the belt tensioner and the V-ribbed belt are protected against damage.

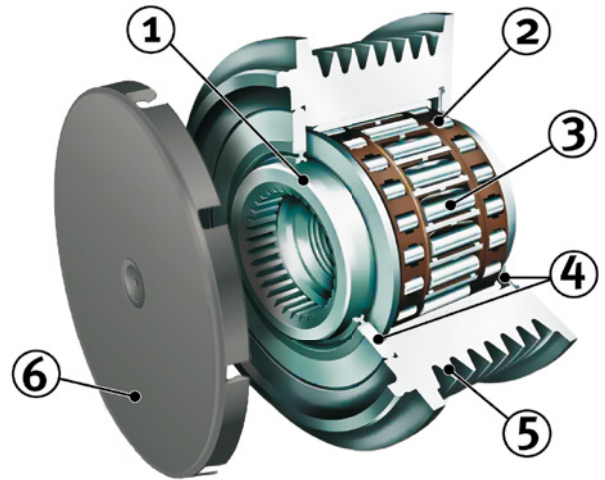


Image 4: Overrunning alternator pulley

- (1) Serrated inner ring
- (2) Radial support bearing
- (3) Overrunning clutch unit
- (4) Seals
- (5) Outer ring with moulded race
- (6) Cover

An overrunning alternator pulley features an overrunning clutch unit. This enables the alternator to be decoupled from the rotational imbalance on the crankshaft and the effects of the alternator's moment of inertia on the assembly drive and the belt vibrations are significantly reduced as a result. The force within the assembly drive is reduced, and the tensioner, pulleys and belts are subjected to smaller loads and have a longer service life.

Please observe the vehicle manufacturer specifications!

You want more? We can help!
 Phone: +44 (0) 1432 264 264
 Fax: +44 (0) 1432 375 760
 aftermarket.uk@schaeffler.com
 www.repxpert.co.uk

SCHAEFFLER
REP>XPERT