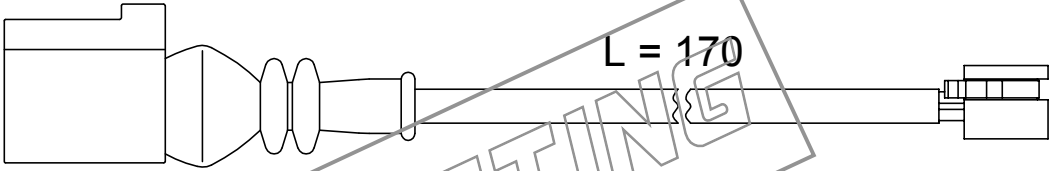
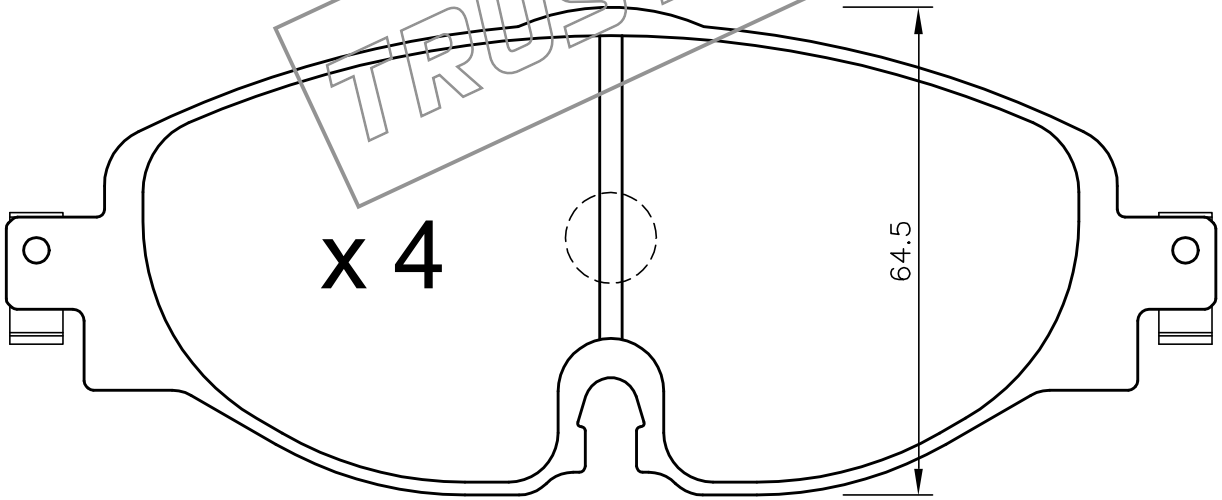


x 1

L = 170

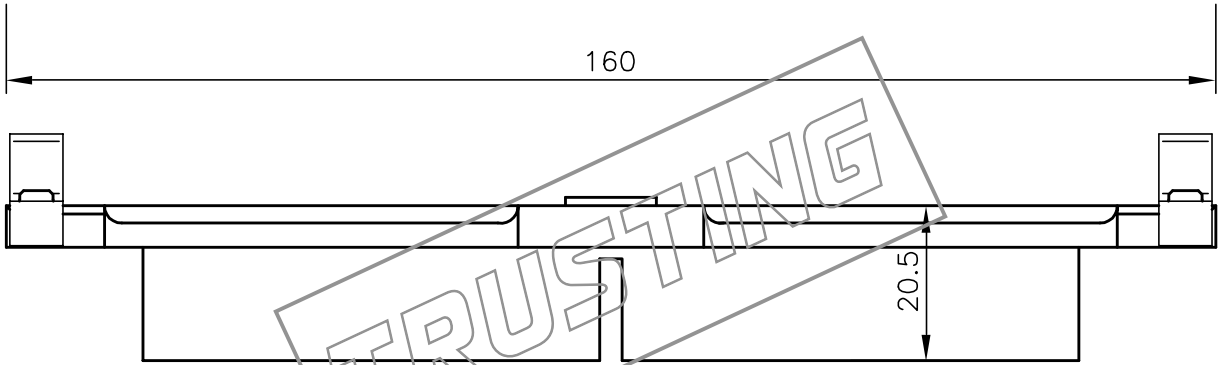


x 4



64.5

160



20.5

TRUSTING