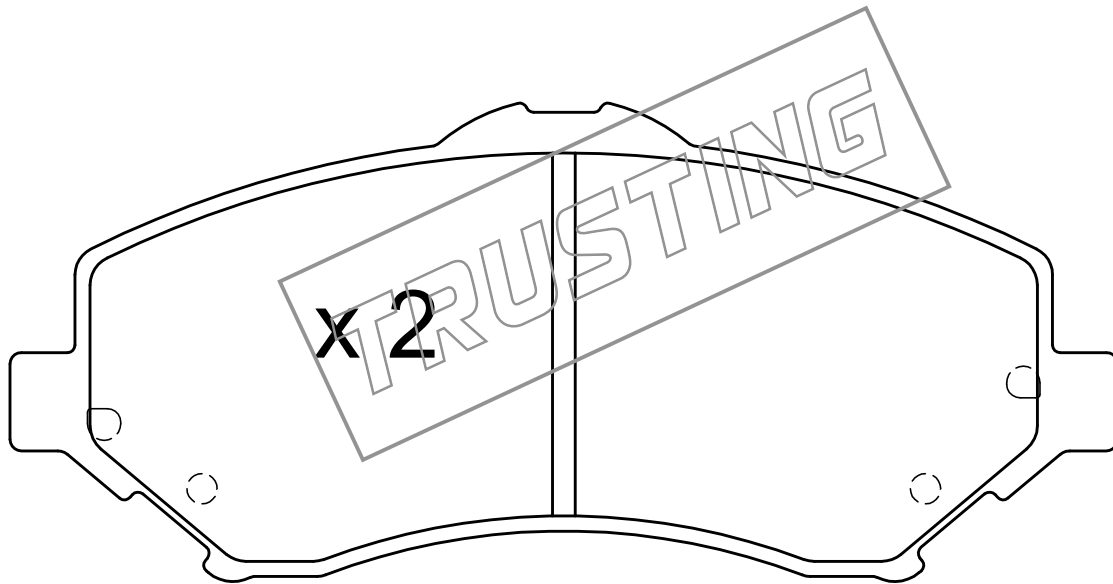
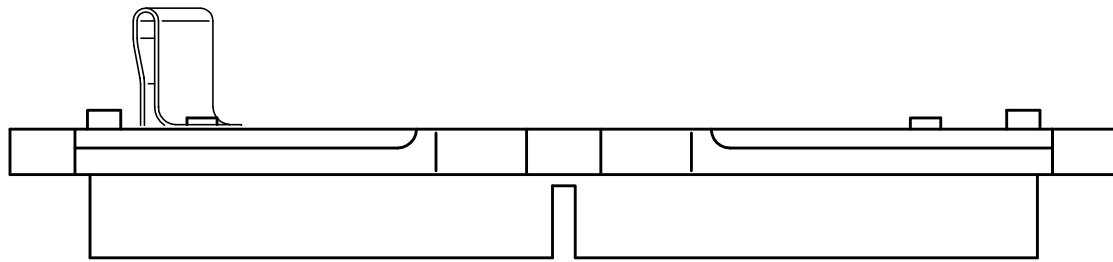
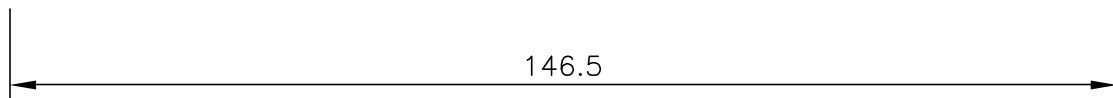


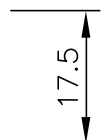
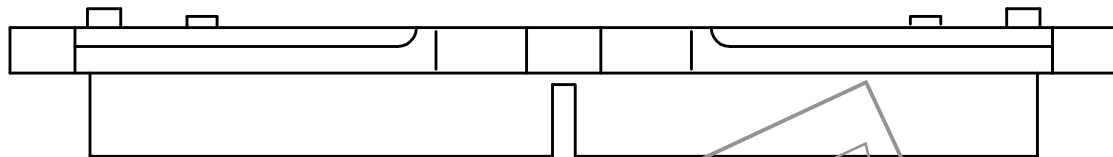
x 2



63.3



146.5



17.5

