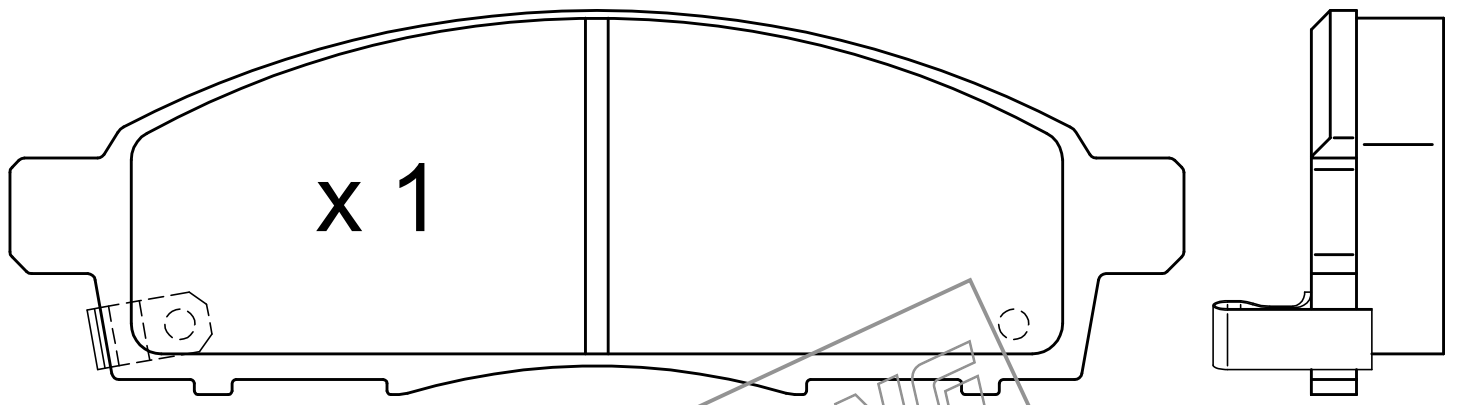
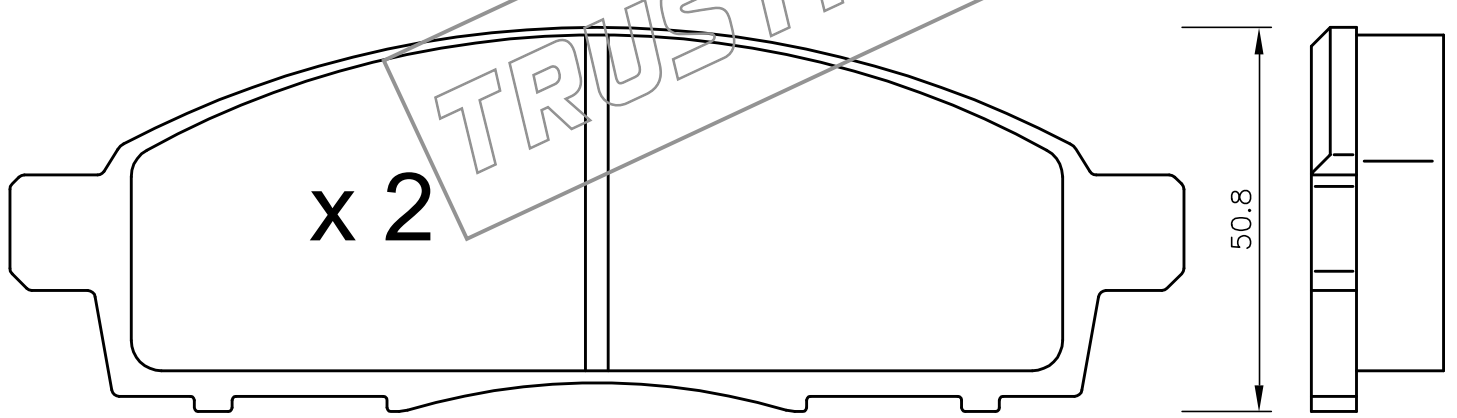


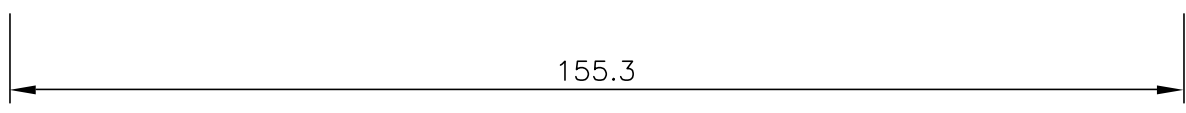
x 1



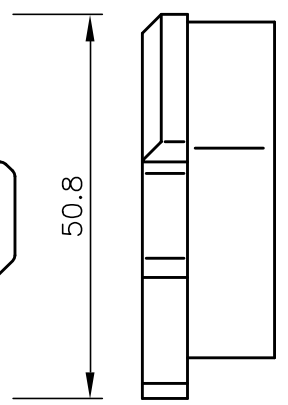
x 1



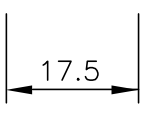
x 2



155.3



50.8



17.5

TRUSTING