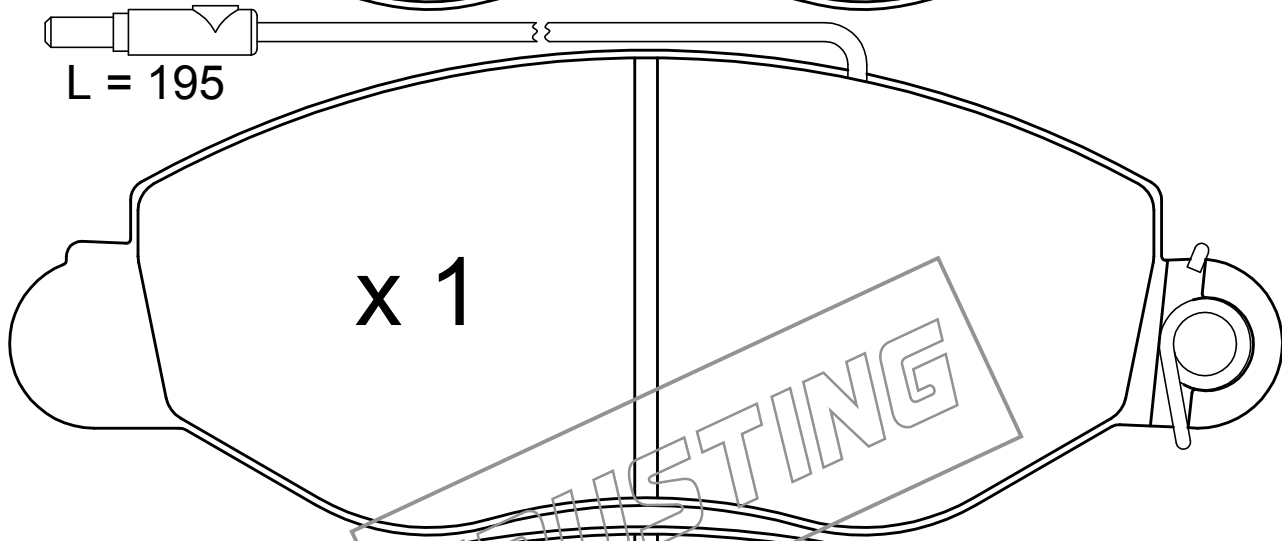


L = 195

x 1

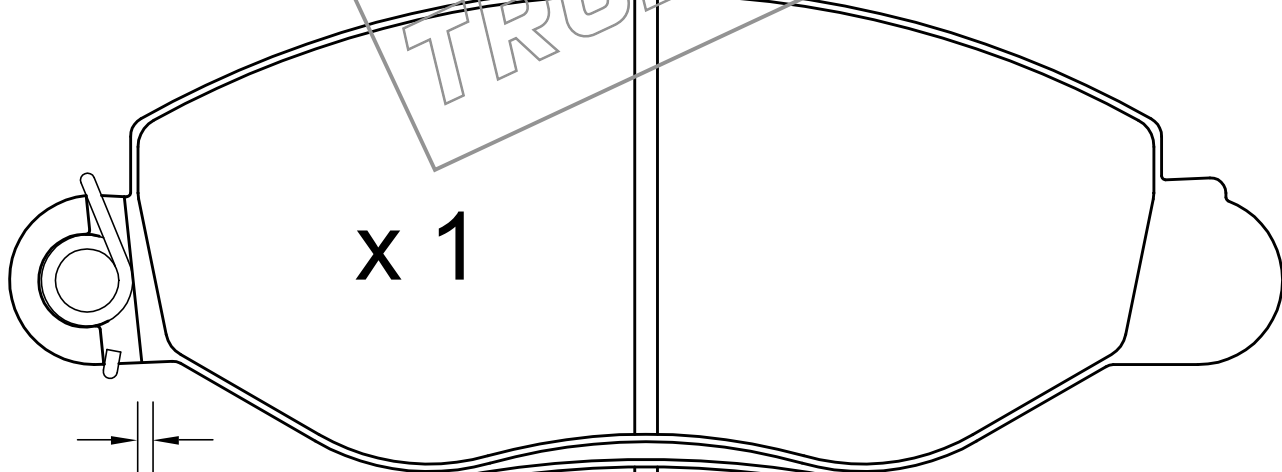
TRUSTING



L = 195

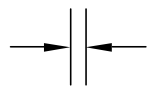
x 1

TRUSTING

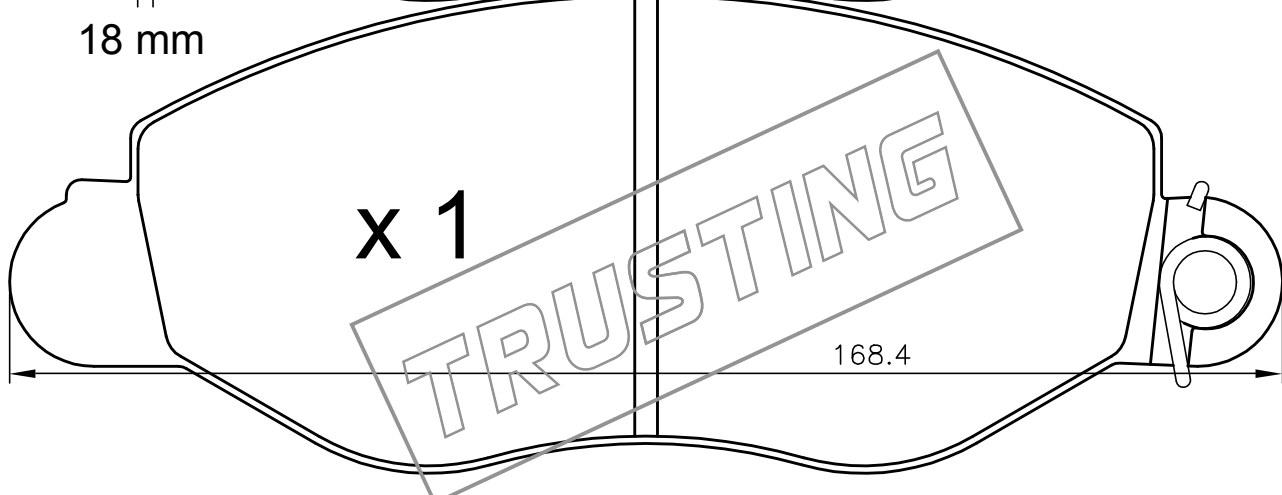


x 1

TRUSTING



18 mm



x 1

TRUSTING

168.4

64.2