

x 2

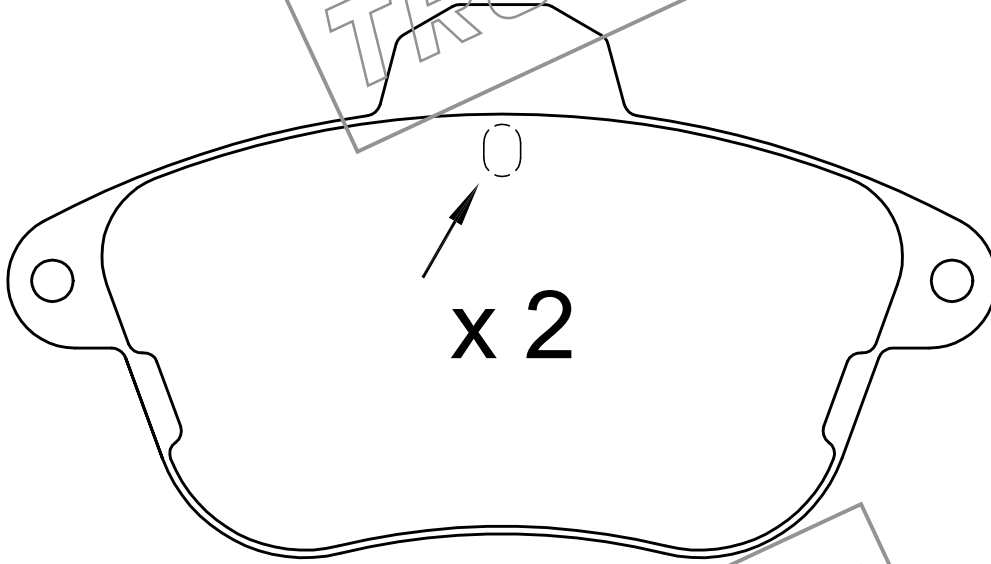


L = 120

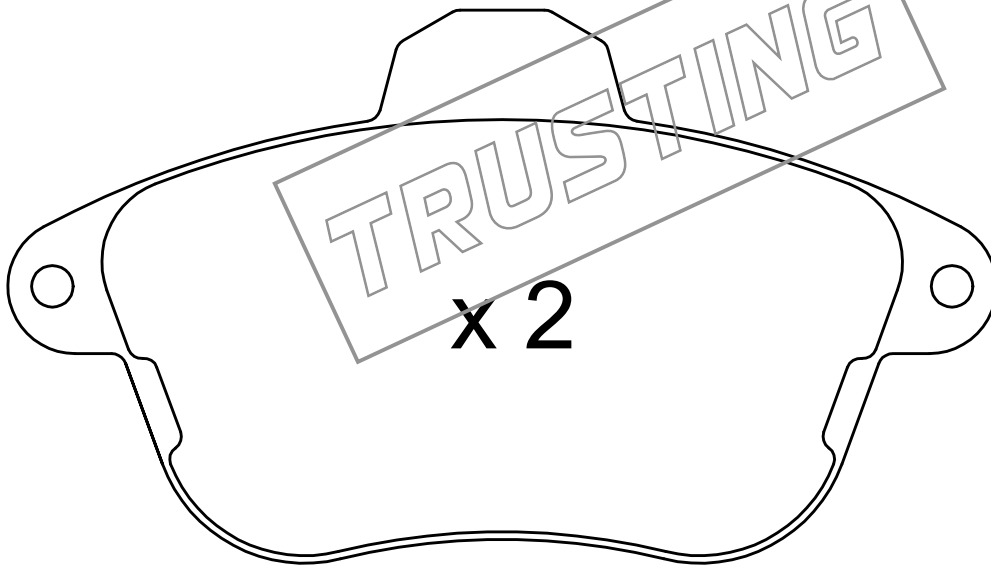
x 2



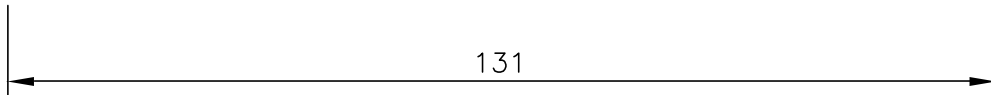
L = 340



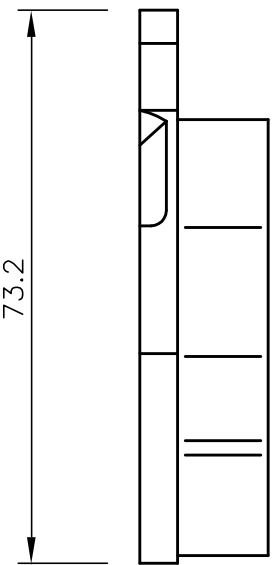
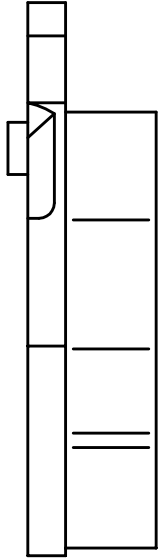
x 2



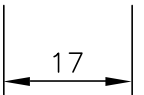
x 2



131



73.2



17

TRUSTING