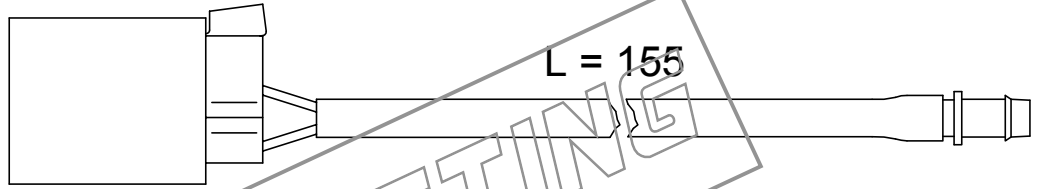
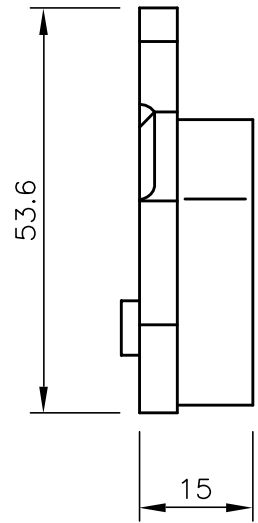
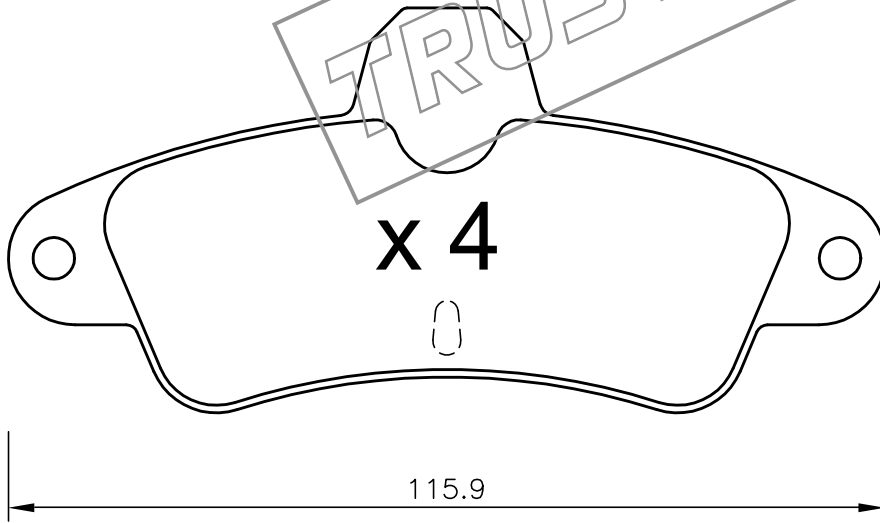


x 2

L = 155



x 4



TRUSTING

TRUSTING