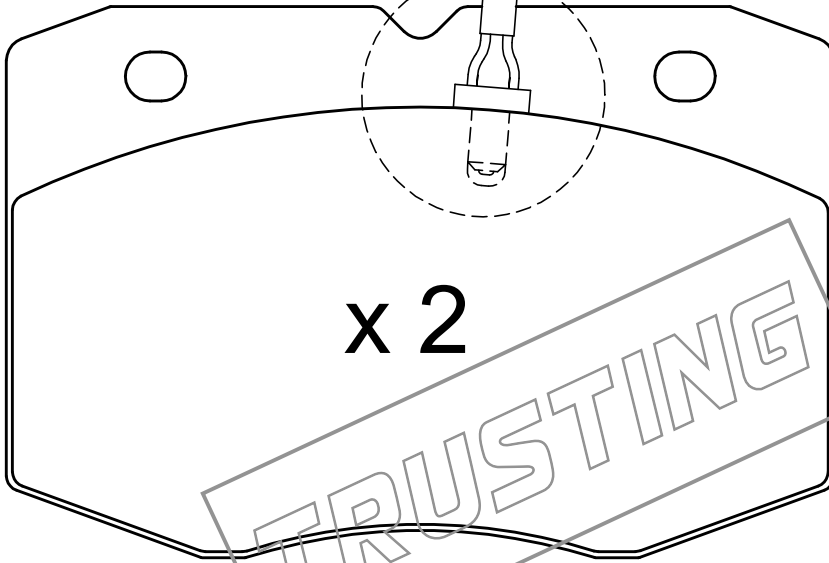
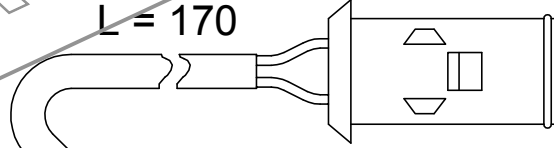


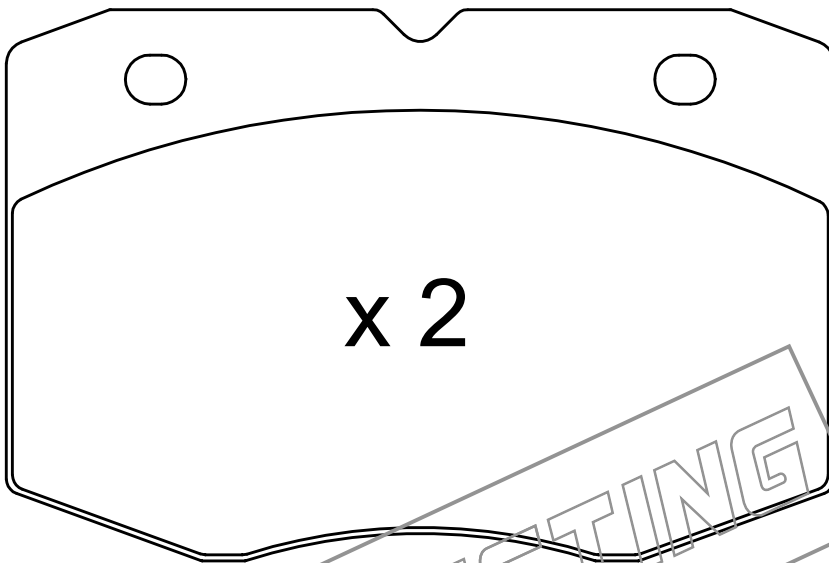
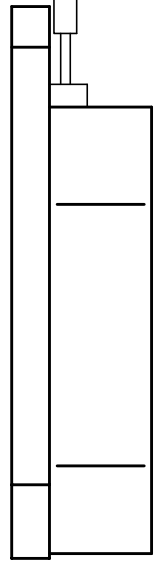
TRUSTING

L = 170



x 2

TRUSTING

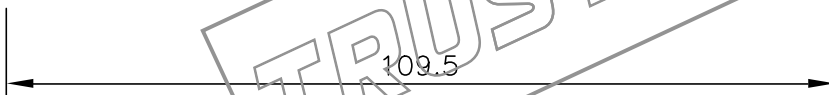
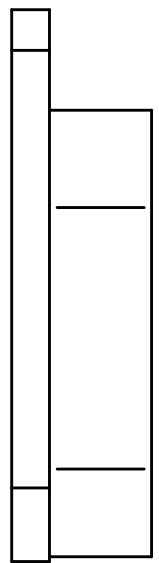


x 2

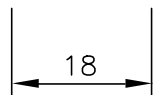
TRUSTING



73.2



109.5



18