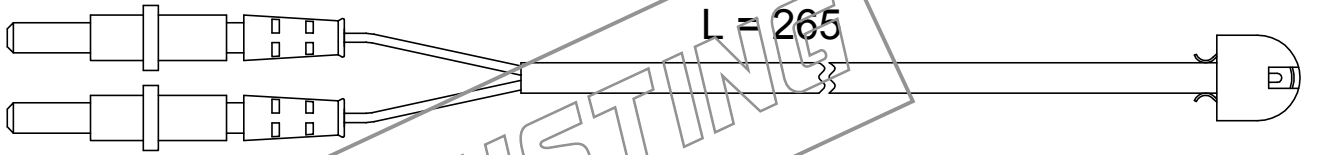
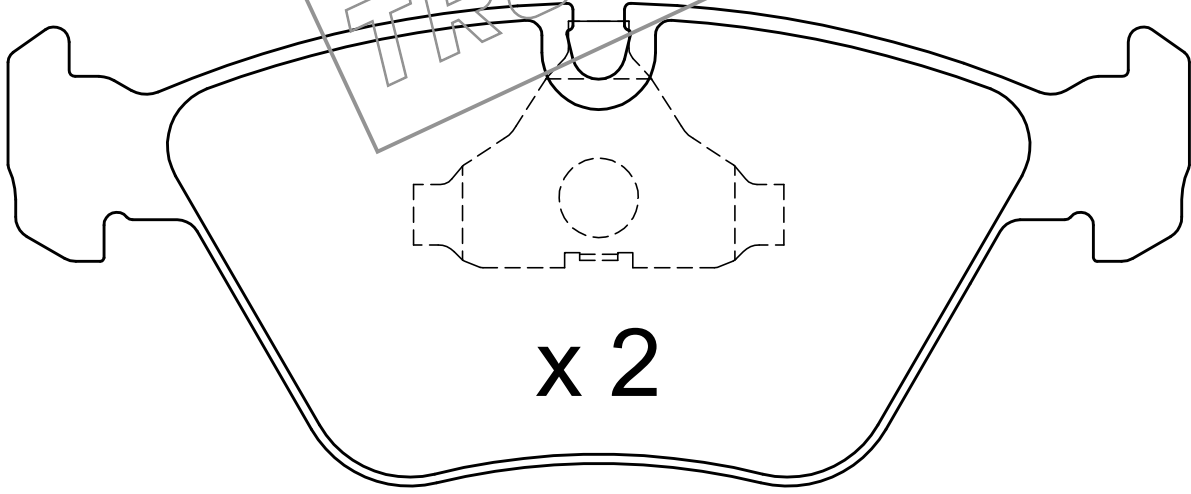


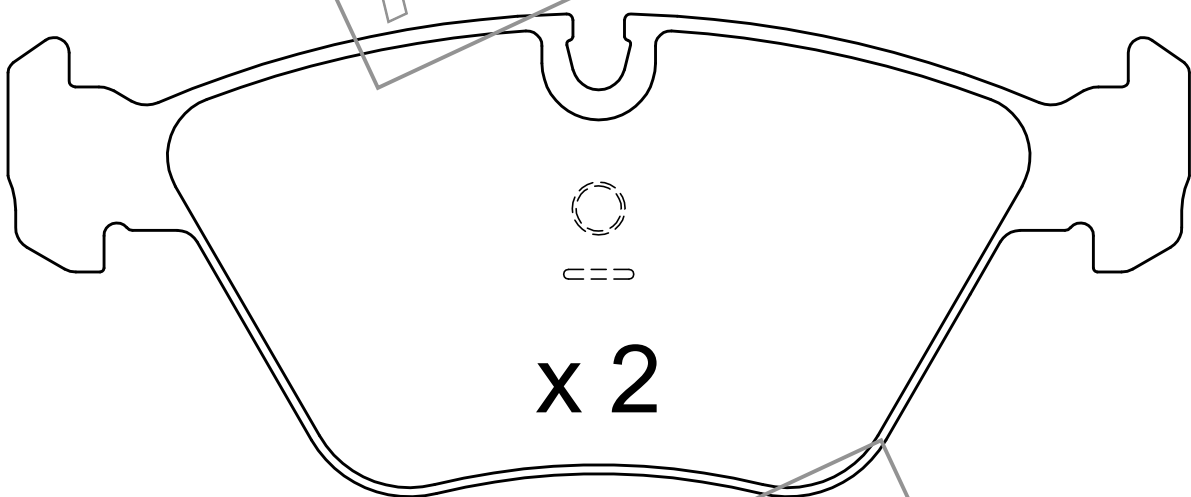
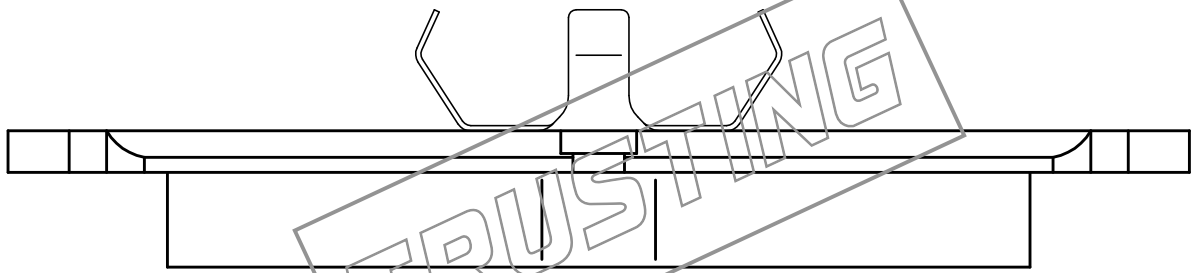
x 2



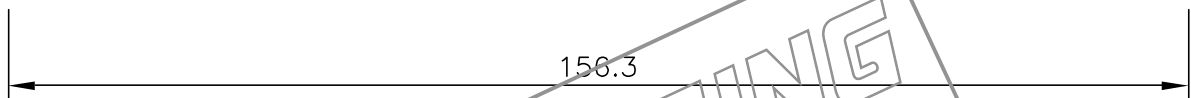
L = 265



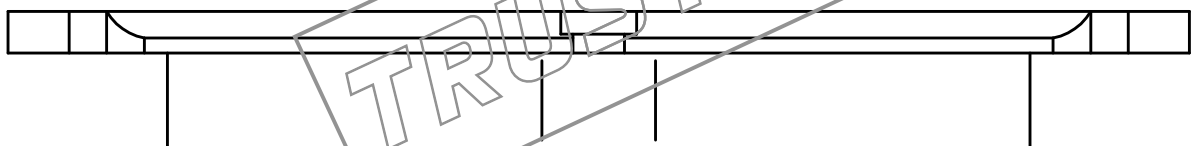
x 2



x 2



158.3



18



64.1