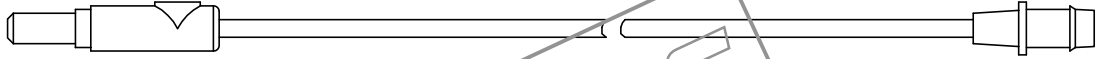
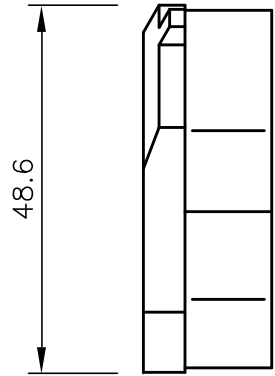
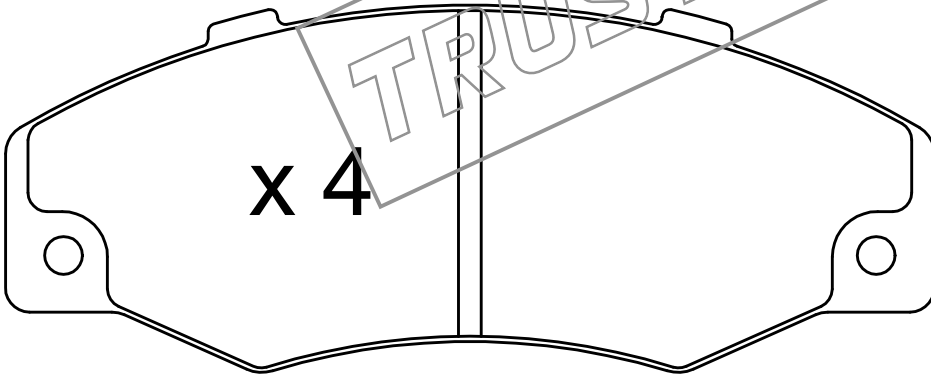


x 2



L = 380

x 4



48.6

123

17

TRUSTING

TRUSTING