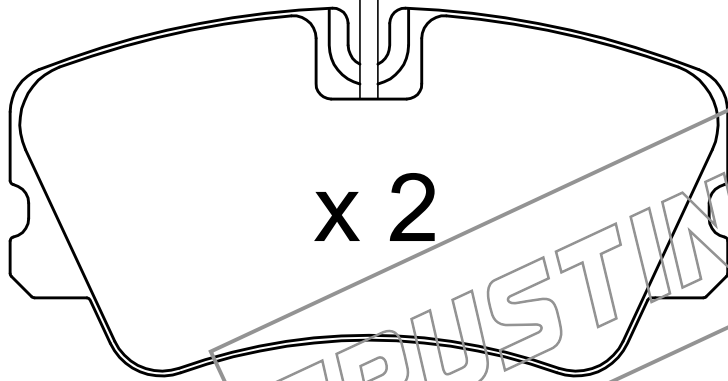
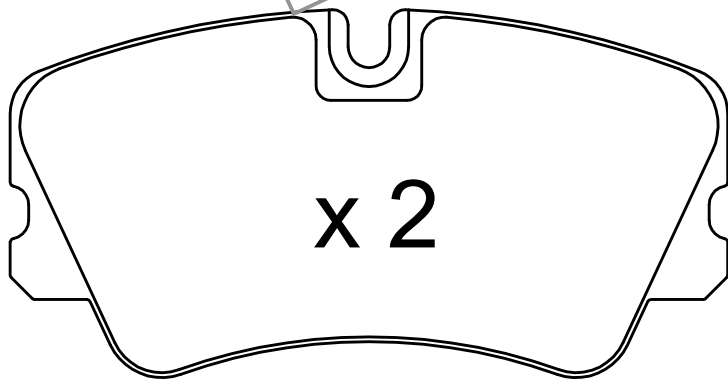


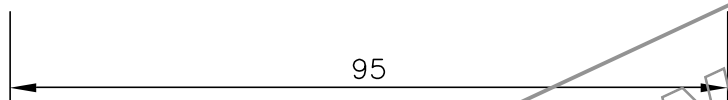
x 4



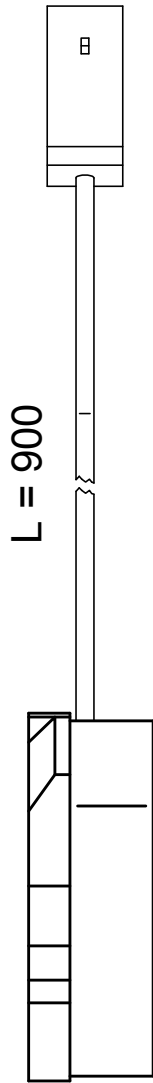
x 2



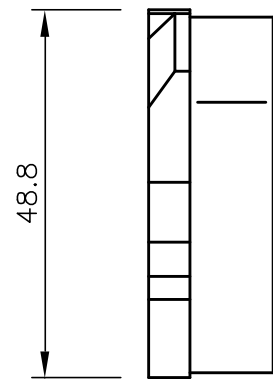
x 2



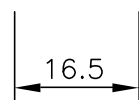
95



L = 900



48.8



16.5

