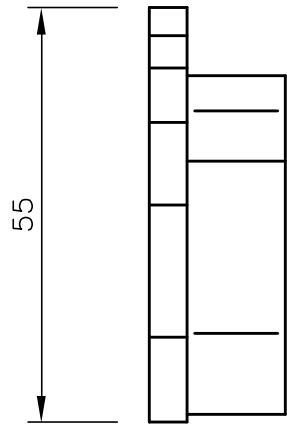
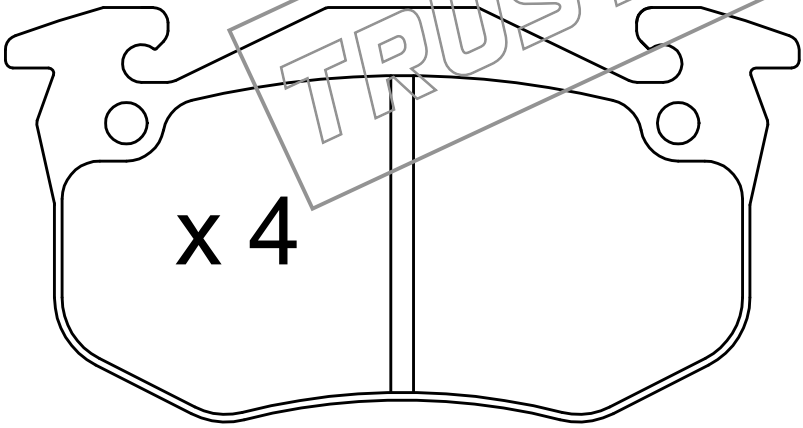


x 2 L = 140



105.1

18

55

TRUSTING

TRUSTING