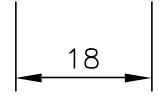
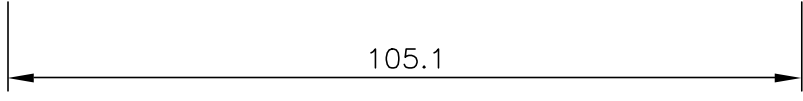
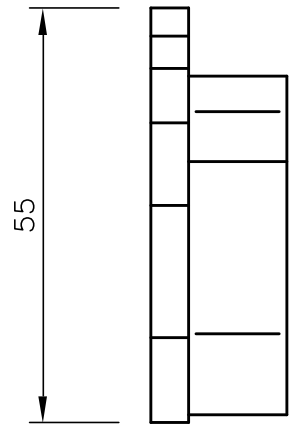
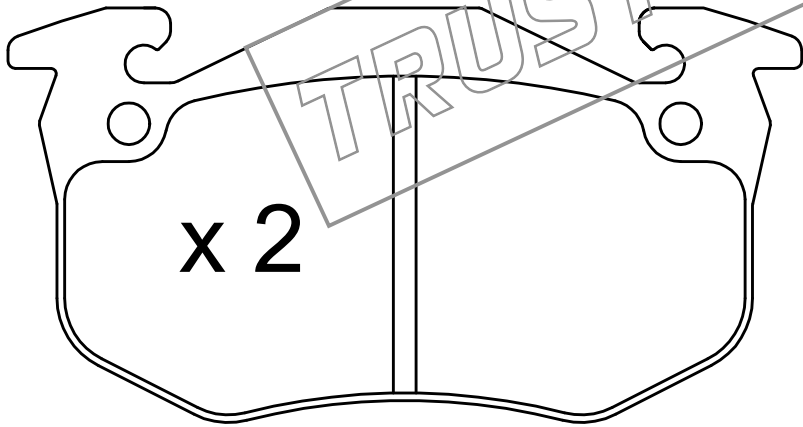
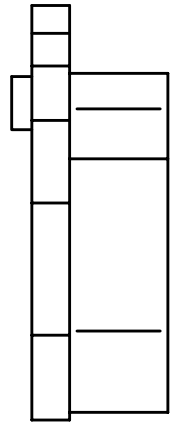
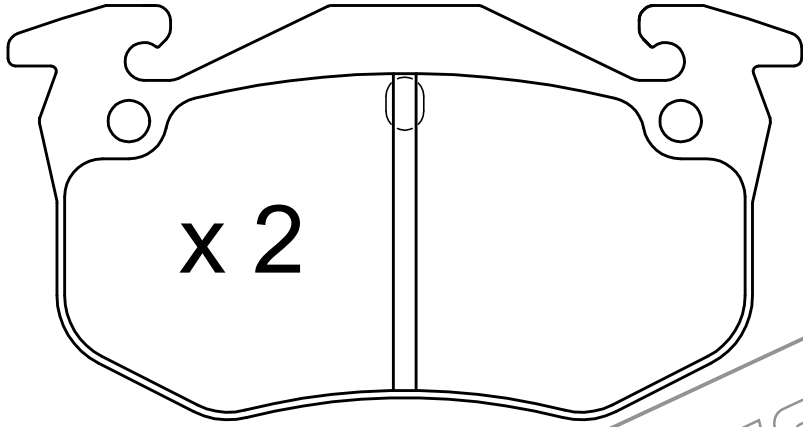


x 2 L = 160

x 2 L = 255



TRUSTING