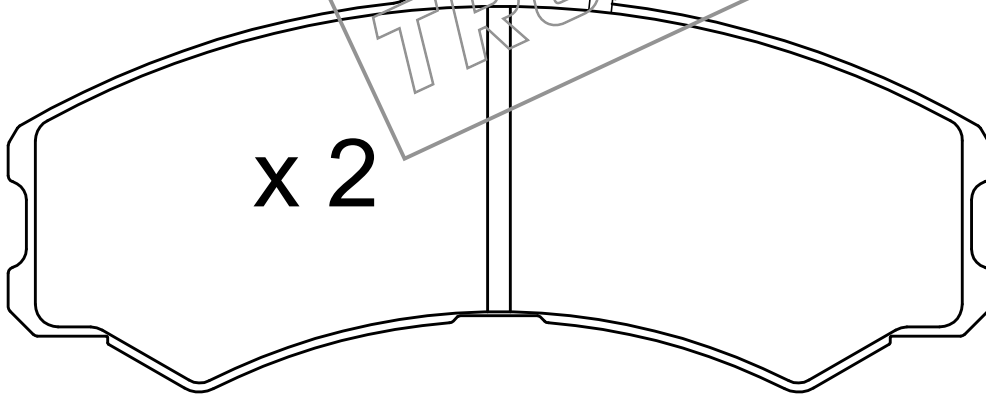
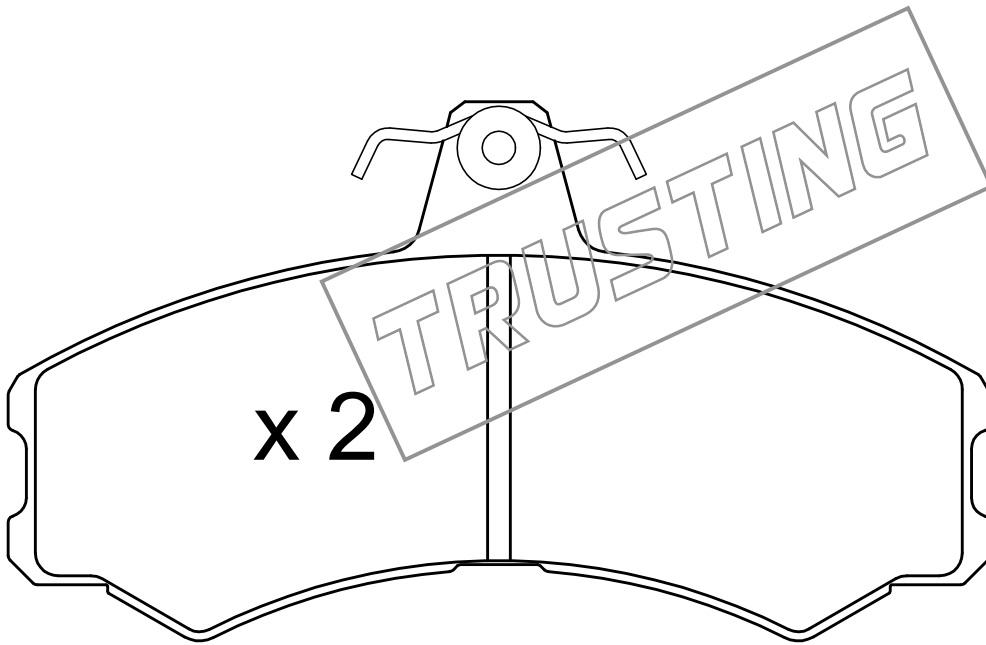
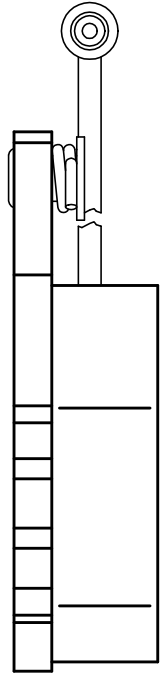


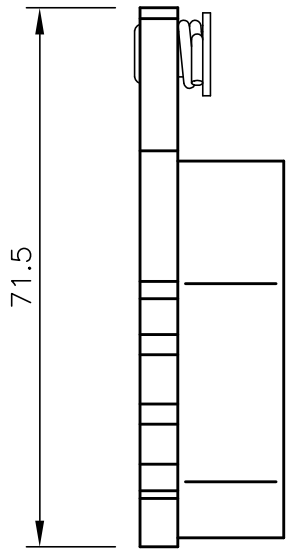
L = 120



x 2

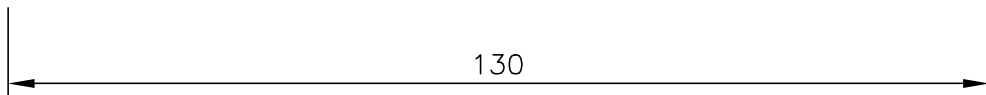


x 2



71.5

19



130

TRUSTING