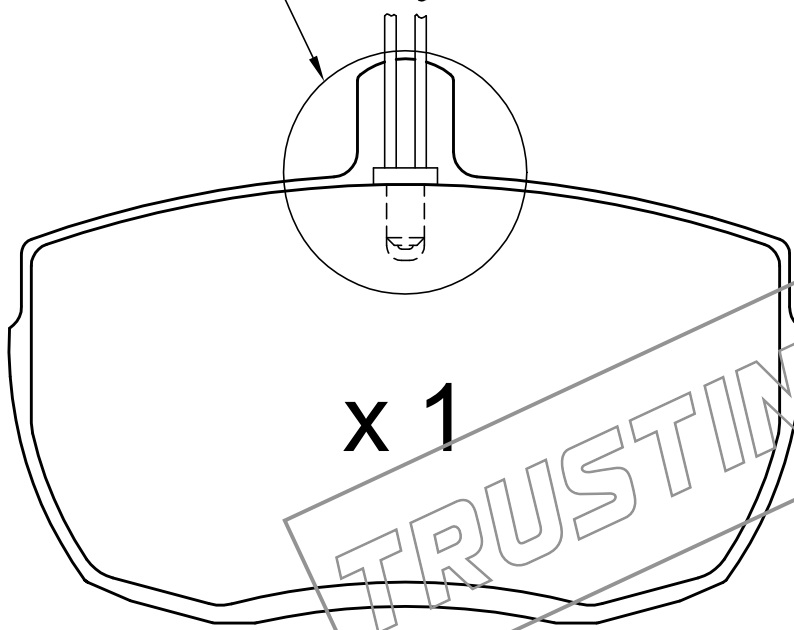
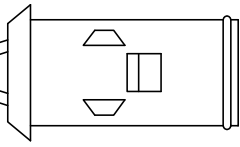


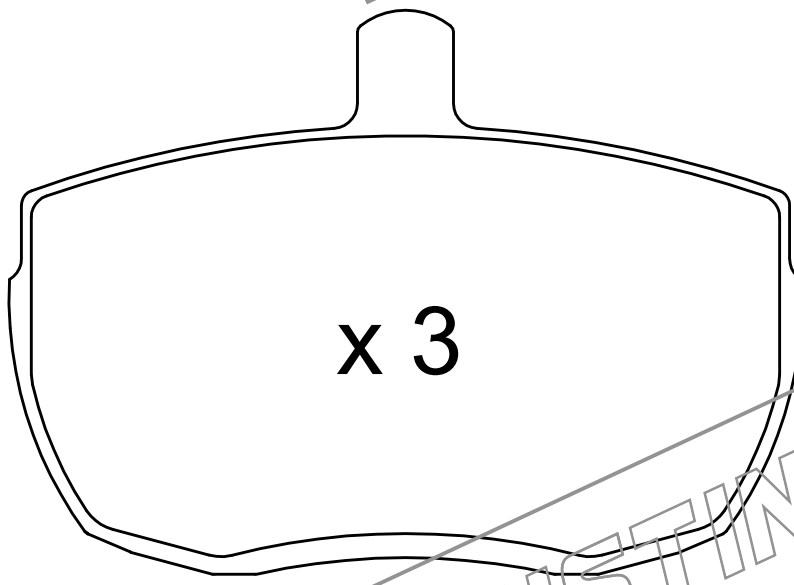
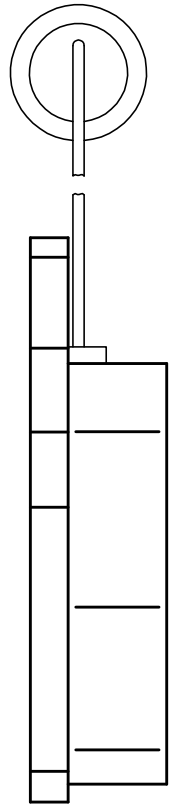
TRUSTING

L = 210



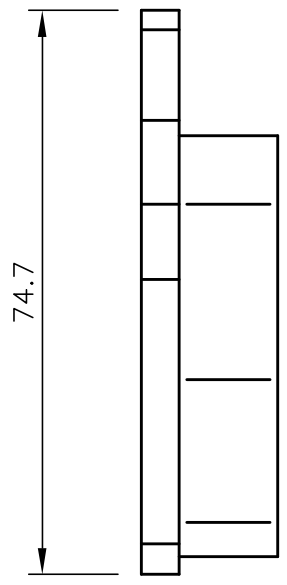
x 1

TRUSTING



x 3

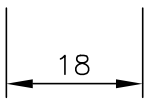
TRUSTING



74.7



105



18