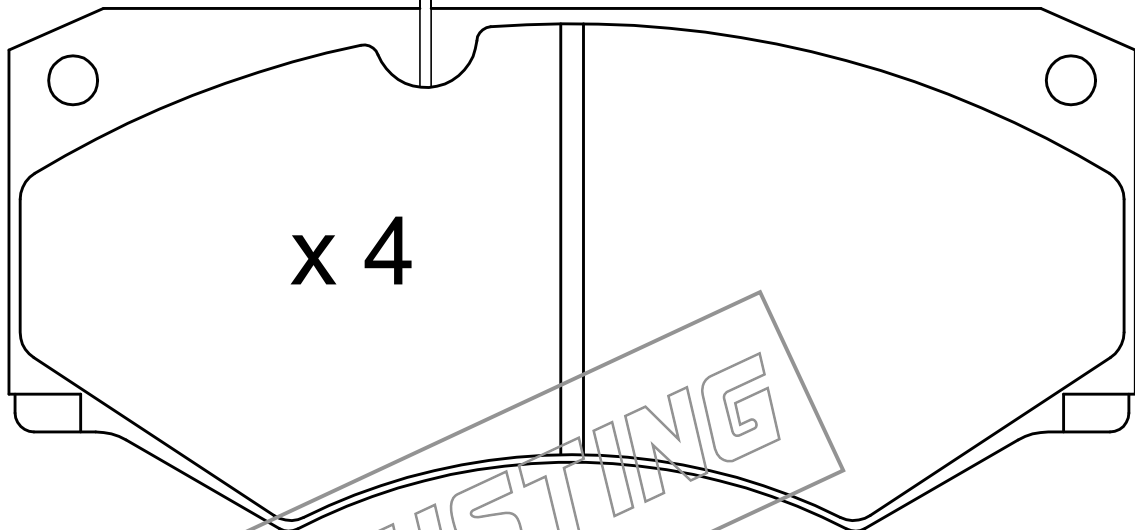


TRUSTING

L = 180 (EXTENDED - DISTESO)

69.2

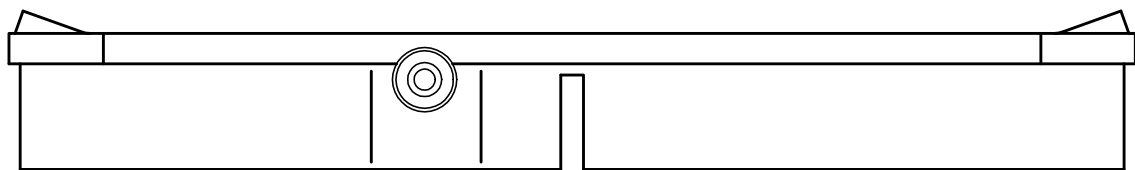


x 4

149

TRUSTING

18



TRUSTING