

bredalorett.com



WHEEL BEARING KITS



WHEEL BEARINGS HAVE FOR YEARS BEEN ONE OF THE MOST IMPORTANT PRODUCTS IN OUR RANGE.

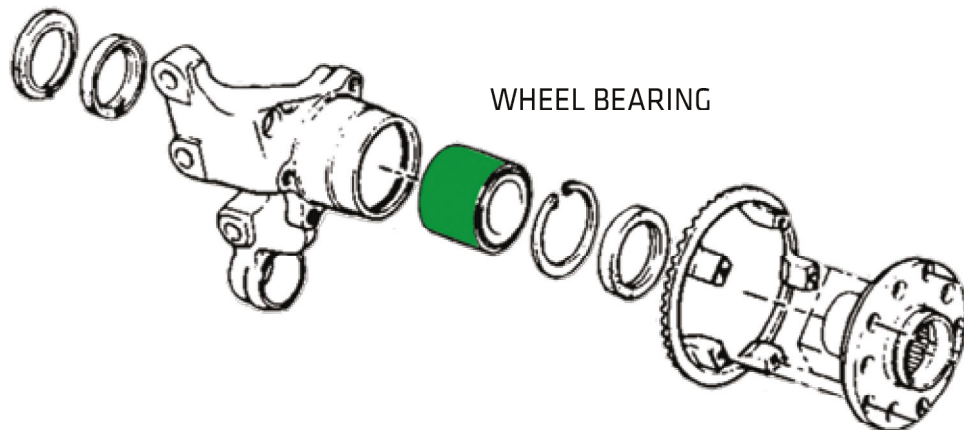
- Mainly distributed in kits, these are high-wear components of the vehicle due to the difficult conditions in which they perform their function. We at Breda Lorett take care to ensure reliability and quality by examining in detail every element that distinguishes them.

- Like the majority of parts suppliers, we do not manufacture bearings in our plant. On the other hand we have a long experience in the field of devices and technical specifications aimed at optimizing performance combined with a total knowledge of the product. Additionally, we select our suppliers rigorously, subjecting them to systematic quality controls.
- We diligently adhere to ISO standards in all of our corporate operations and use them as a guiding star and reference in the clear and thorough drafting of all documents (such as test plans) necessary to verify that the production processes and supply specifications of the various factories comply to the required degree of quality. The reliability of the products that are included in our packages is guaranteed.



● THE WHEEL BEARING IS A FUNDAMENTAL SAFETY ELEMENT THAT SUPPORTS AXIAL AND RADIAL LOADS IN VERY DIFFERENT VIBRATION AND STRESS CONDITIONS AND IN THE MOST VARIED ENVIRONMENTAL CONDITIONS.

THE RISK FACTORS THAT CAN CAUSE BEARING FAILURE MEAN THAT THE DEVELOPMENT OF A PROGRAM OF CONTINUOUS QUALITY IMPROVEMENT IN EACH AND EVERY INTERNAL COMPONENT IS REQUIRED IN ORDER TO PRODUCE A CONTINUOUSLY TRUSTWORTHY FINAL PRODUCT.



● We act directly on any technical aspect of the product and agree on all specifications with our selected suppliers in order to achieve a high standard of quality.

We strictly control every detail because things like free play, grease, housings, work quota and tolerances are all elements that allow the bearings to be adjusted to different applications and drastically affect its service life.



● Similarly, know-how and specific measurement tools allow for the verification of the bearings being supplied and their consistent adherence to standards, and to make changes that will improve their characteristics.

TODAY
OUR RANGE
CONSISTS
OF MORE
THAN
1700
REFERENCES
AND INCREASES
AS THE
CAR PARK
EVOLVES.

● AN EXAMPLE OF WHEEL BEARING AND COMPONENTS WITH SPECIAL CHARACTERISTICS.



All the products in our range help populate the TecDoc database from which the most common part numbers and all aftermarket supply chain e-commerce searches are derived.

