

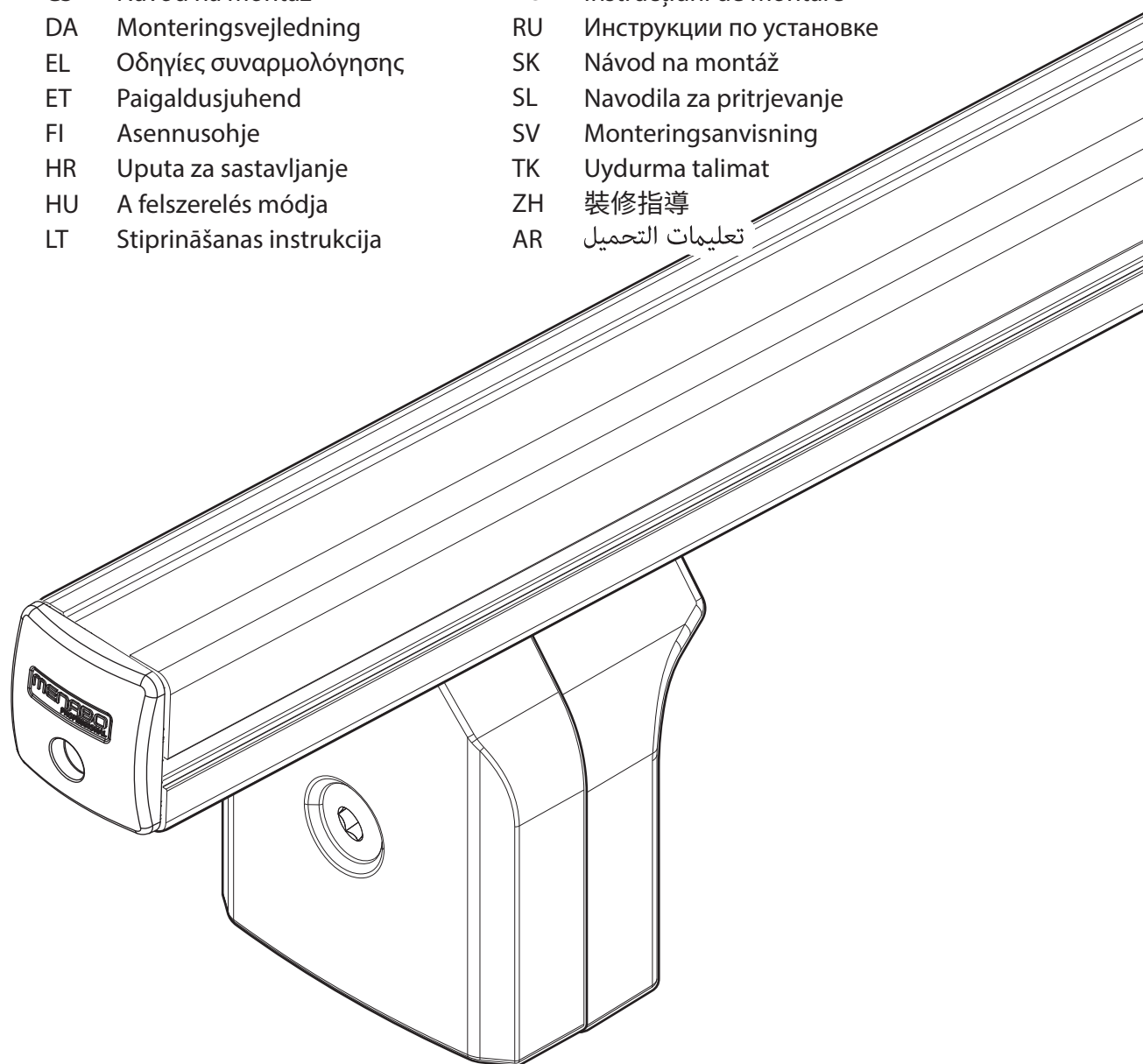
# MENABO

free time on the move

FIX 601FP

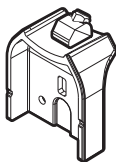
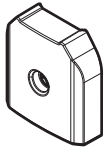
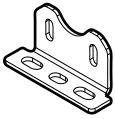
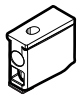
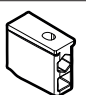

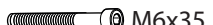




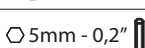

## PROFESSIONAL

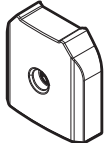






IT	Istruzioni di montaggio	LV	Pritvirtinimo instrukcijas
EN	Fitting instructions	NL	Instrukcja montażu
DE	Montageanleitung	NO	Monteringsveiledning
FR	Instructions de montage	PL	Instrukcja montażu
ES	Instrucciones de montaje	PT	Instruções de Montagem
CS	Návod na montáž	RO	Instrucțiuni de montare
DA	Monteringsvejledning	RU	Инструкции по установке
EL	Οδηγίες συναρμολόγησης	SK	Návod na montáž
ET	Paigaldusjuhend	SL	Navodila za pritrdjevanje
FI	Asennusohje	SV	Monteringsanvisning
HR	Uputa za sastavljanje	TK	Uydurma talimat
HU	A felszerelés módja	ZH	裝修指導
LT	Stiprināšanas instrukcija	AR	تعليمات التجميع




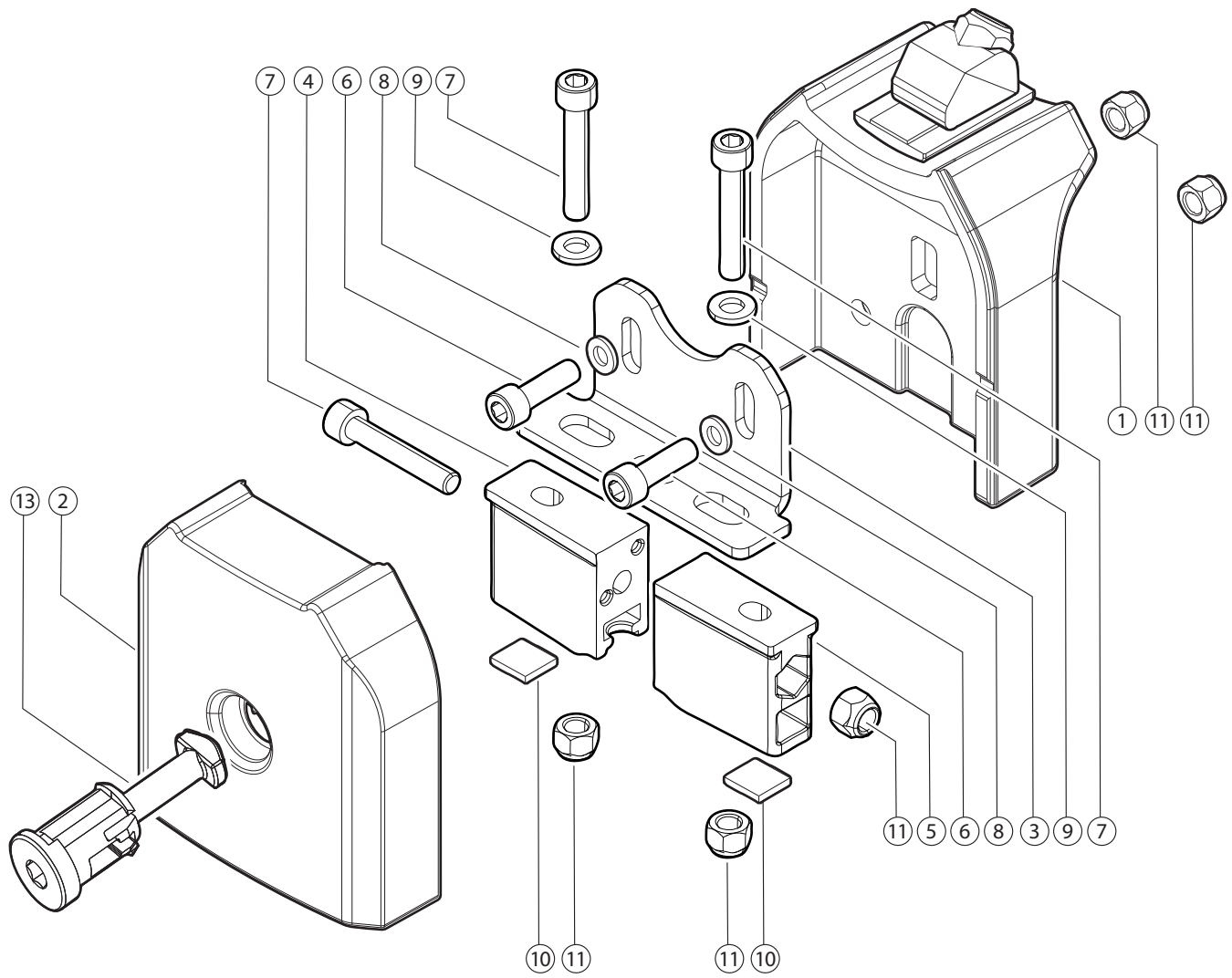
Made in Italy




FIXING KIT		
N.	[IT]Componenti (Inclusi) [EN]Components (Included) [FR]Composants (Comprises) [DE]Die Komponenten (im Lieferumfang enthalten) [ES]Componentes (Incluido)	Q.
1		2
2		2
3		2
4		2
5		2
6	 M6x16	4
7	 M6x35	6
8	 ø6x18	4
9	 ø6x12	4
10		4
11	 M6	10
12	 5mm - 0,2"	1
13		2

FIXING KIT			
N.	[IT]Ricambi (A Richiesta) [EN]Spare Parts (Made to order) [FR]Pièces de rechange (Sur commande) [DE]E Teile (auf Anfrage) [ES]Piezas de recambio (Previa solicitud)	Q.	Codice - Code - Código
2		1	700034200000
6	 M6x16	6	700034300000
7	 M6x35	4	
8	 ø6x18	10	
11	 M6	4	
12	 5mm - 0,2"	1	700025000000
13		4	700025300000

OPTIONAL KIT		
N.	Art.000084800000	Q.
14		4
15	XXXX 	4

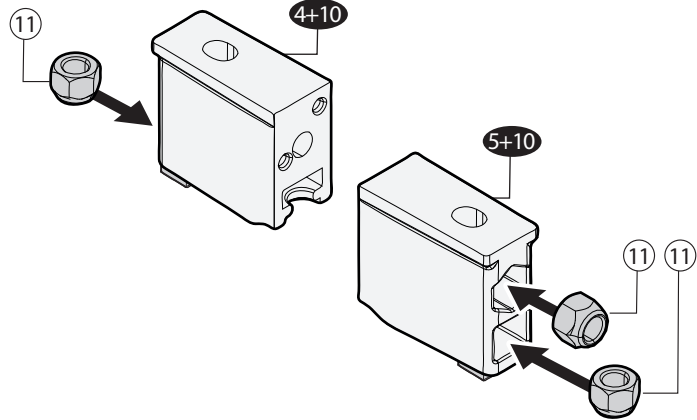
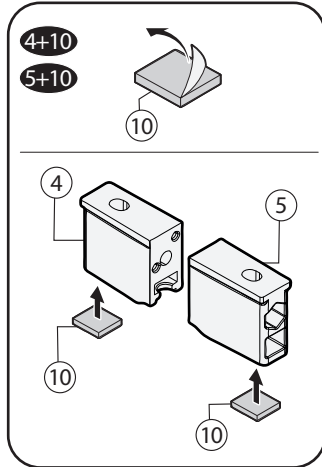



 5mm - 0,2"
 (12)

**x2**

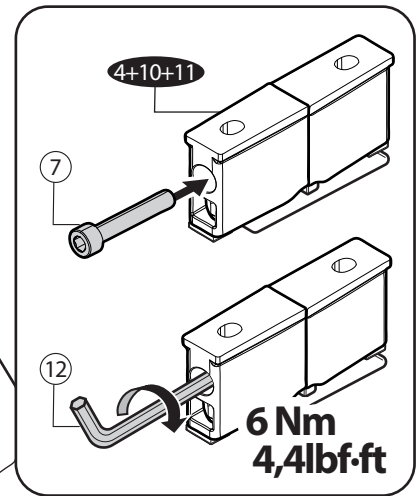
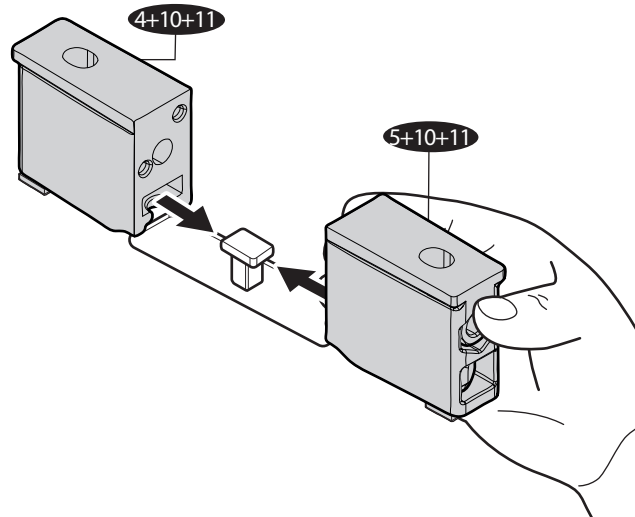
①

N.		Q.
4		1
5		1
10		2
11		3

**x2**

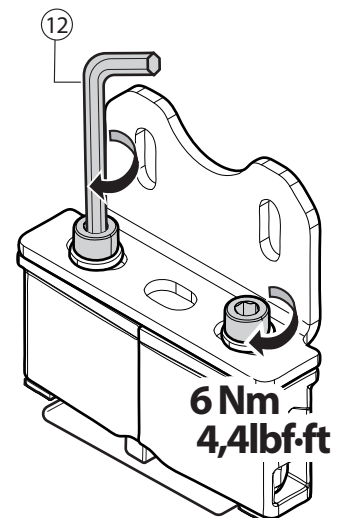
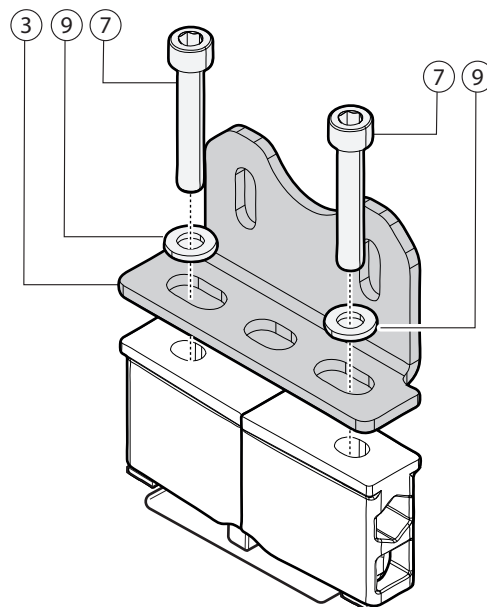
②

N.		Q.
7		1
12		1

**x2**



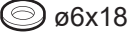

③

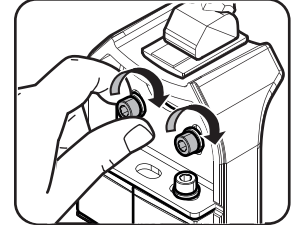
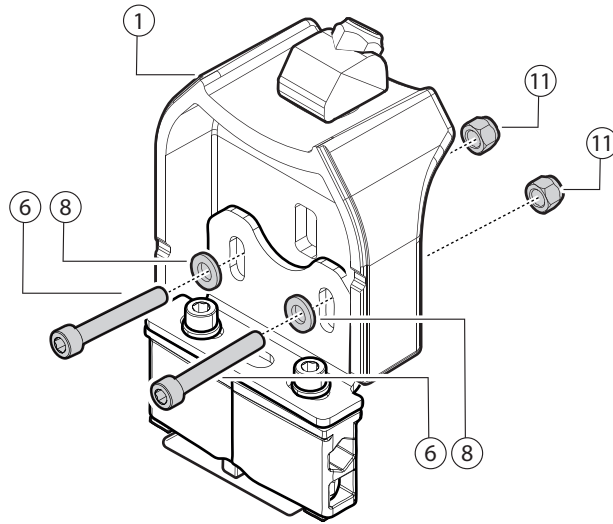
N.		Q.
3		1
7		2
9		2



4

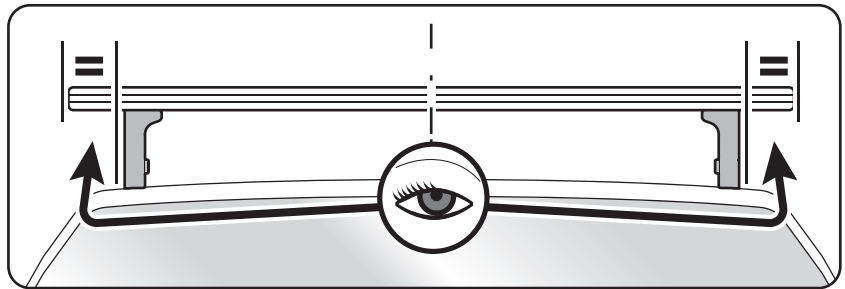
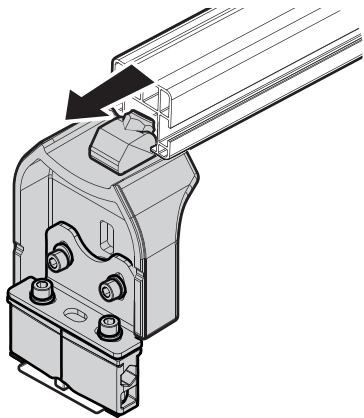
x2

N.		Q.
1		1
6	 M6x16	2
8	 ø6x18	2
11	 M6	2



x2

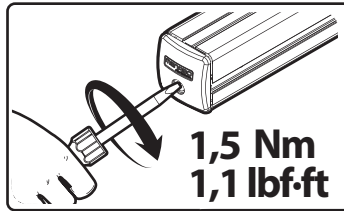
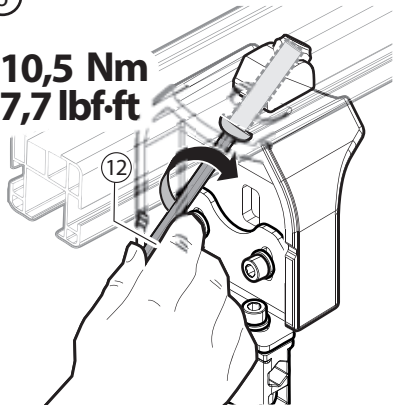
5



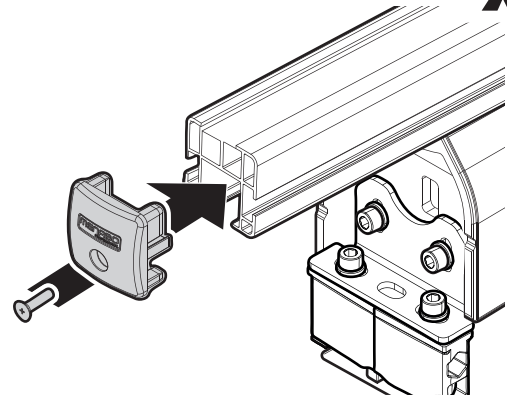
6

x2

10,5 Nm  
7,7 lbf-ft

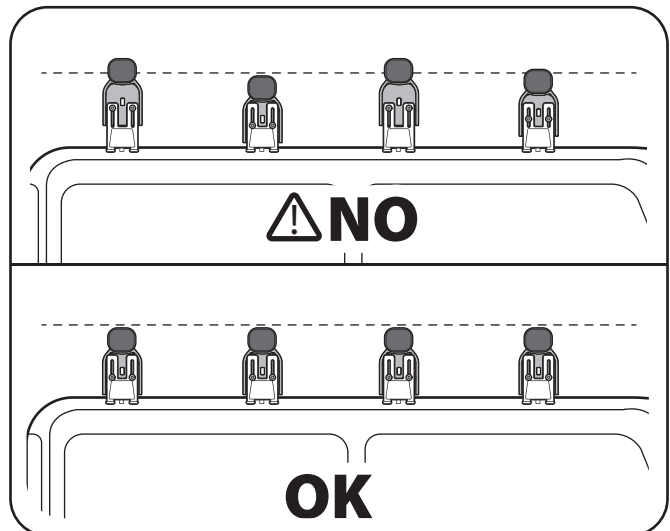
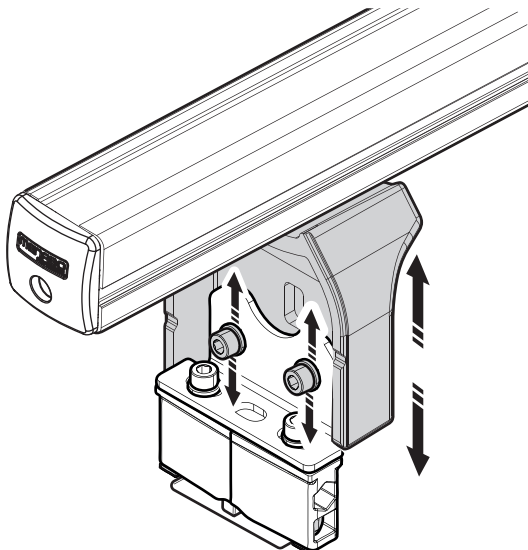


1,5 Nm  
1,1 lbf-ft



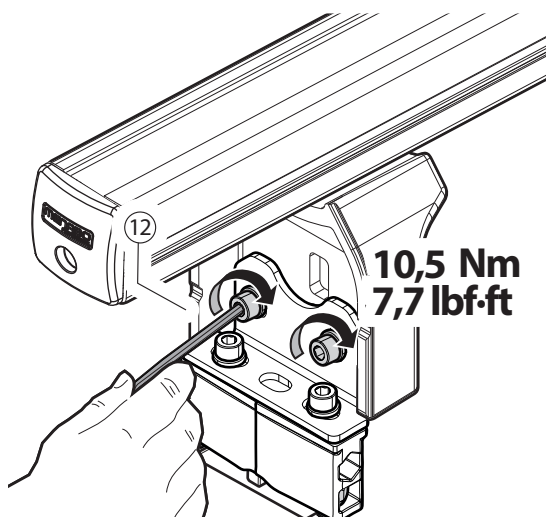
7

x2



8

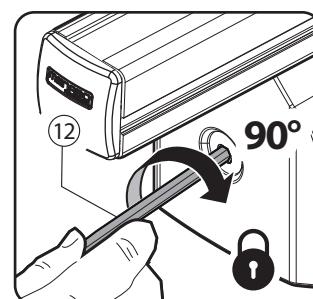
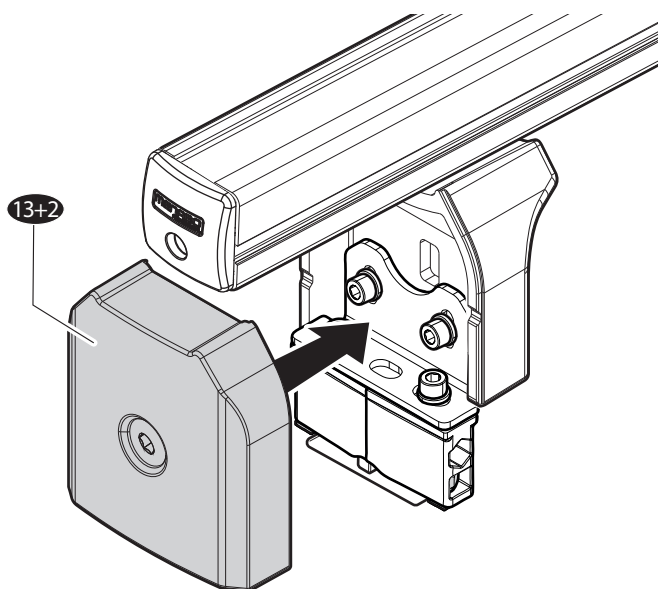
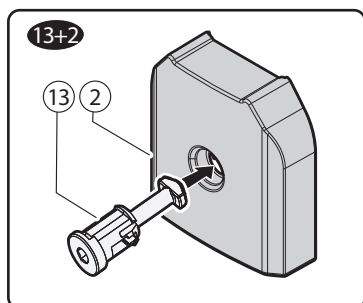
x2



9

x2

N.	Q.
2	2
13	2

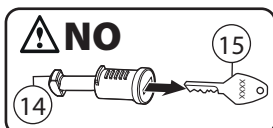
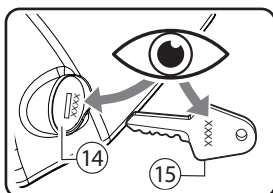
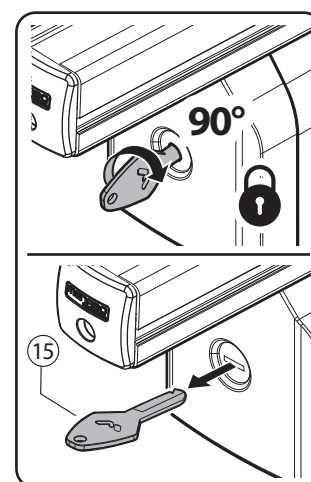
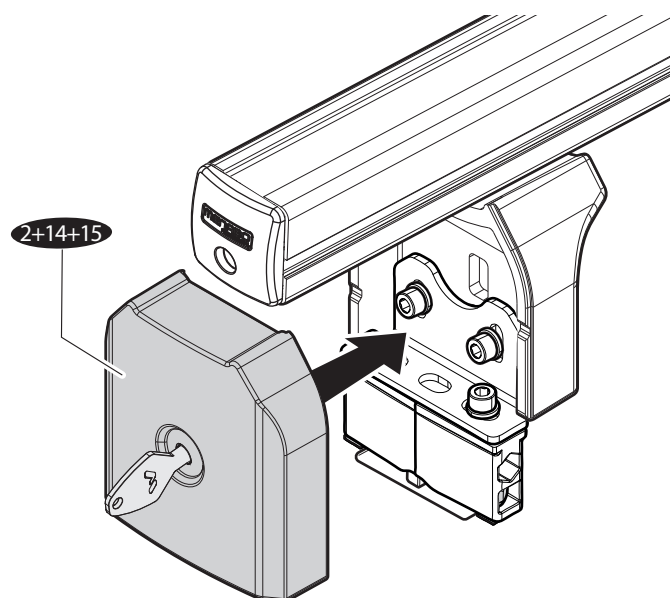
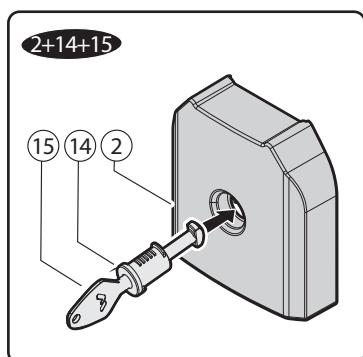


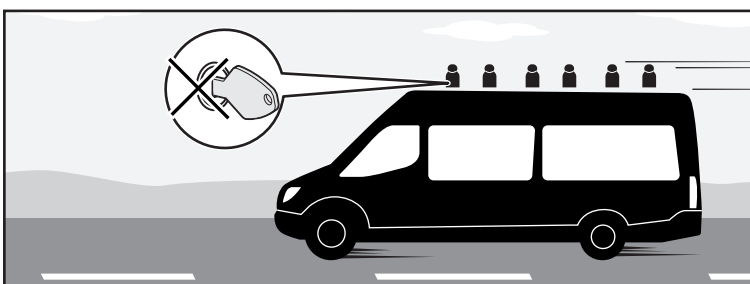
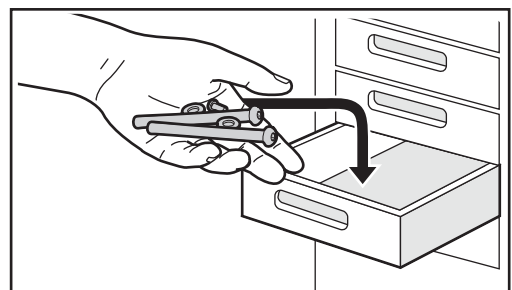
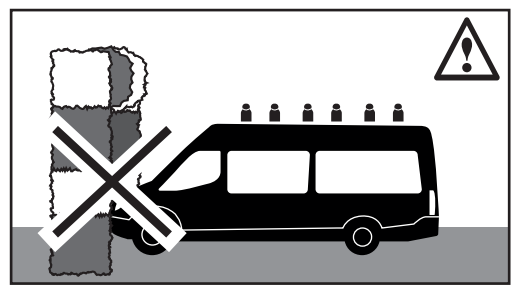
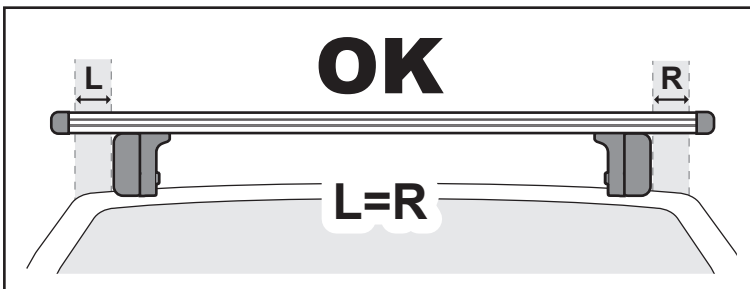
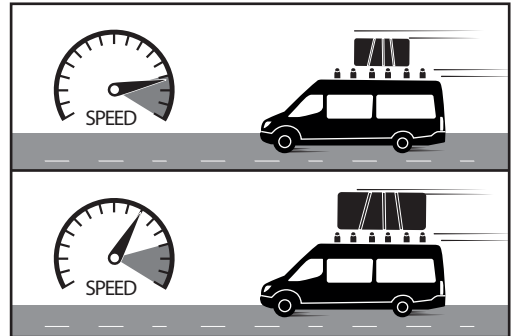
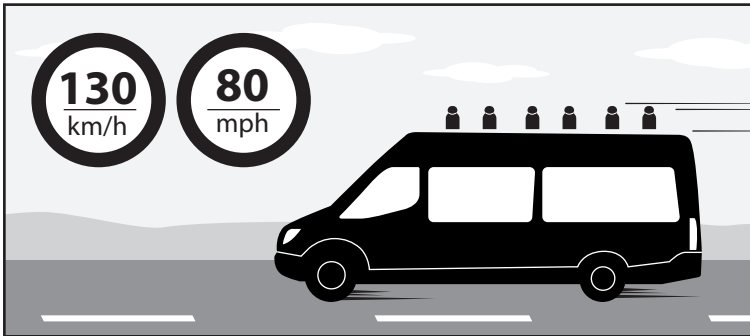
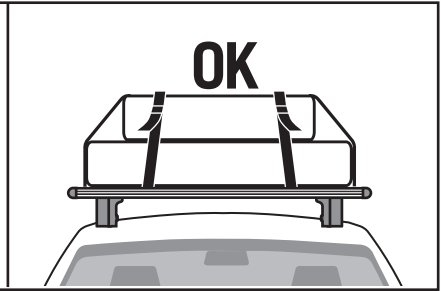
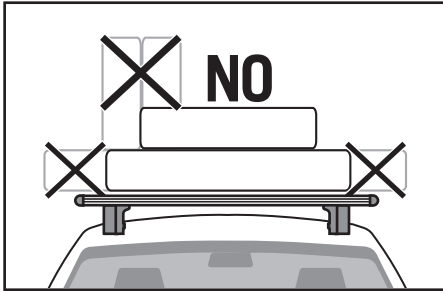
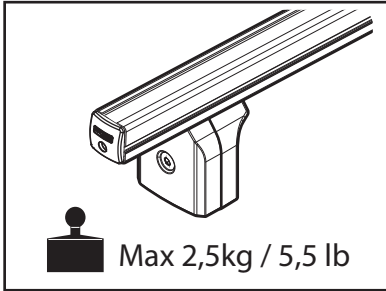
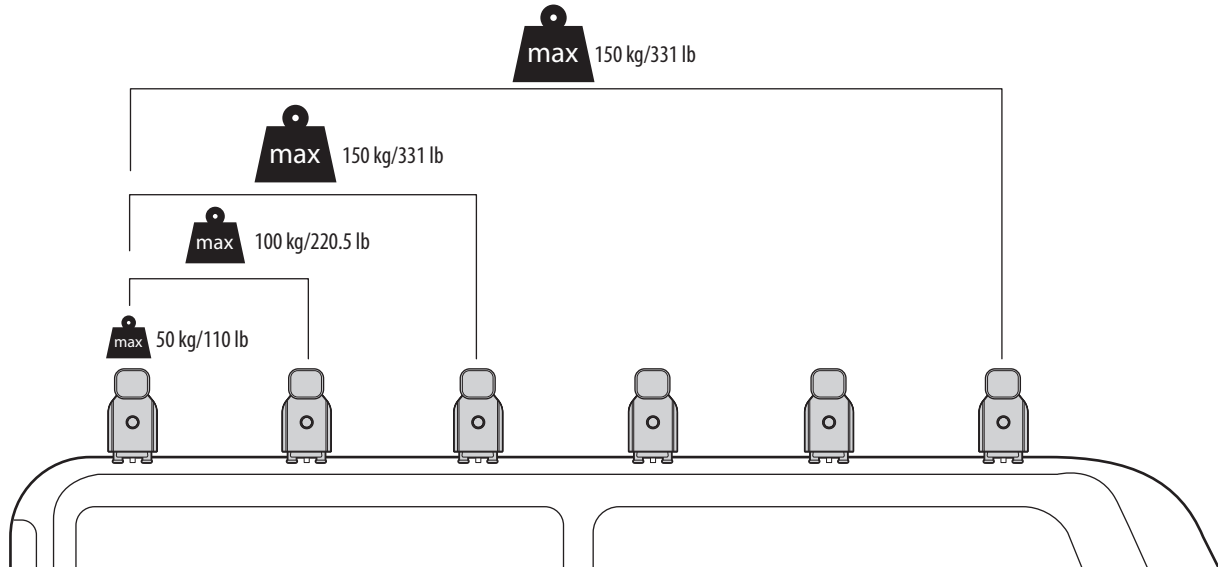
9b

### OPTIONAL KIT

Art.000084800000

x2





F.lli Menabò S.r.l.  
Via 8 Marzo, 3 -Z.I. Corte Tegge  
42025 Cavriago (RE) ITALY  
Tel. +39-0522/942840  
Fax. +39-0522/942948  
e-mail: info@flli-menabo.it  
www.menabocaraccessories.com

Cod.Istr.	500028300001
Data	25/06/2020

**Product registration EU:**

IT) [eu.menabocaraccessories.com/ita/product-support-ita](http://eu.menabocaraccessories.com/ita/product-support-ita)  
EN) [eu.menabocaraccessories.com/eng/product-support-eng](http://eu.menabocaraccessories.com/eng/product-support-eng)  
DE) [eu.menabocaraccessories.com/deu/product-support-deu](http://eu.menabocaraccessories.com/deu/product-support-deu)  
FR) [eu.menabocaraccessories.com/fra/product-support-fra](http://eu.menabocaraccessories.com/fra/product-support-fra)  
ES) [eu.menabocaraccessories.com/esp/product-support-esp](http://eu.menabocaraccessories.com/esp/product-support-esp)

**Product registration US/CA:**

EN) [us.menabocaraccessories.com/en/product-support](http://us.menabocaraccessories.com/en/product-support)  
FR) [us.menabocaraccessories.com/fr/support-produit](http://us.menabocaraccessories.com/fr/support-produit)  
ES) [us.menabocaraccessories.com/es/soporte-de-producto](http://us.menabocaraccessories.com/es/soporte-de-producto)

www.menabocaraccessories.com

Name

Surname

Email

Telephone

Serial number

Product name

Sign in