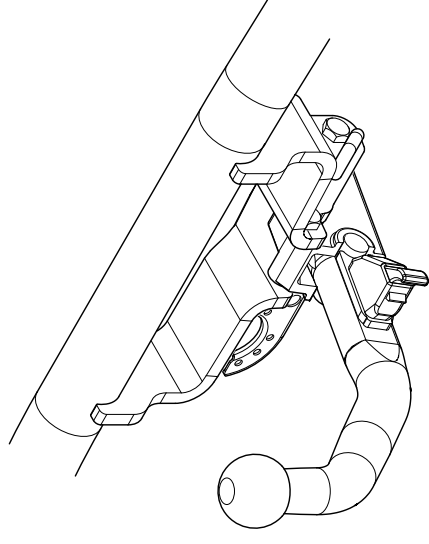
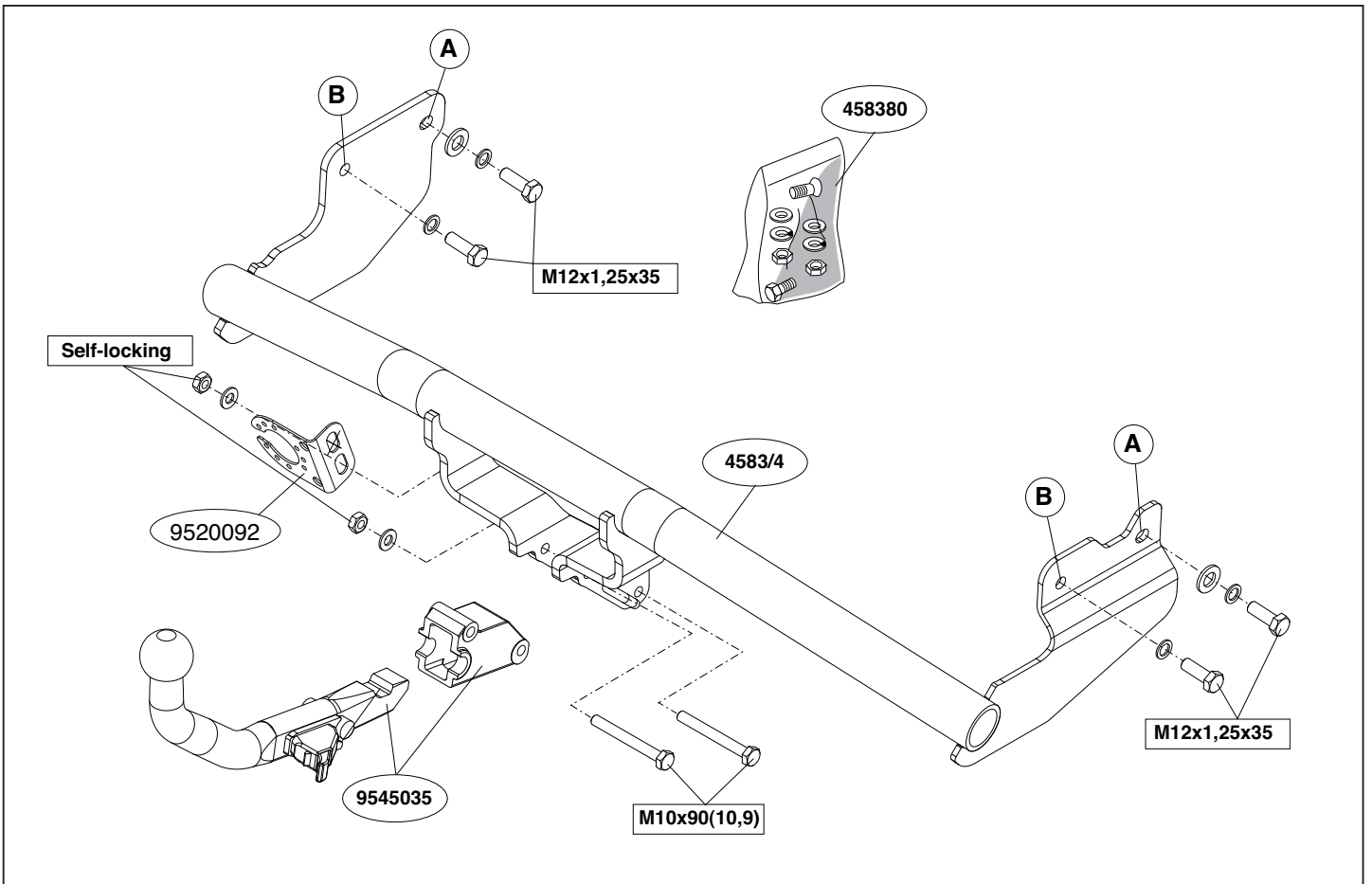

Fitting instructions

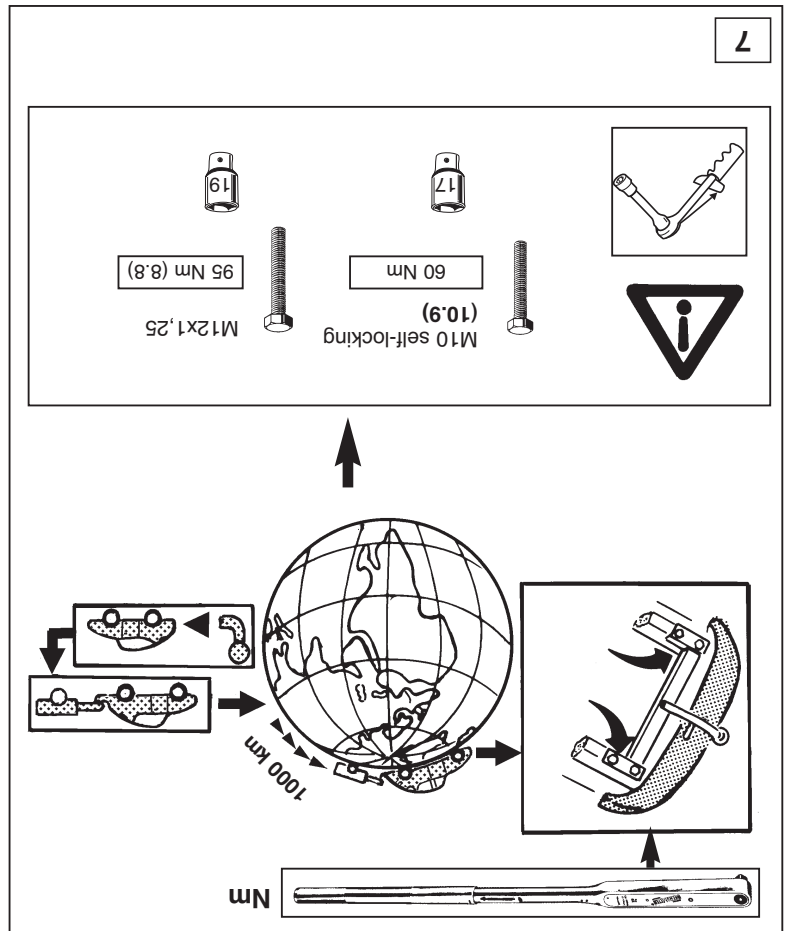
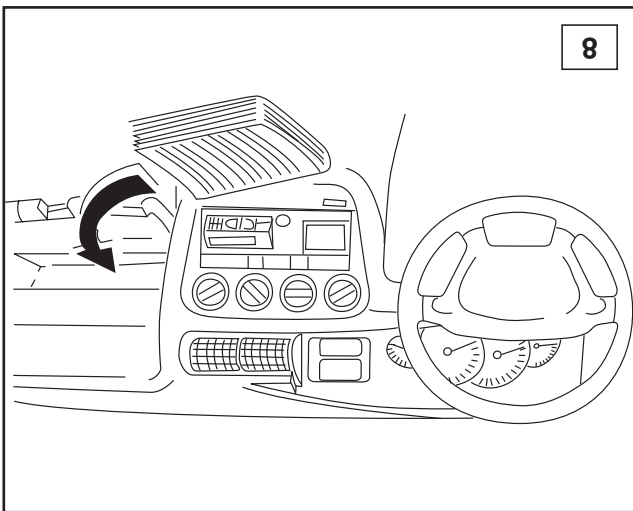
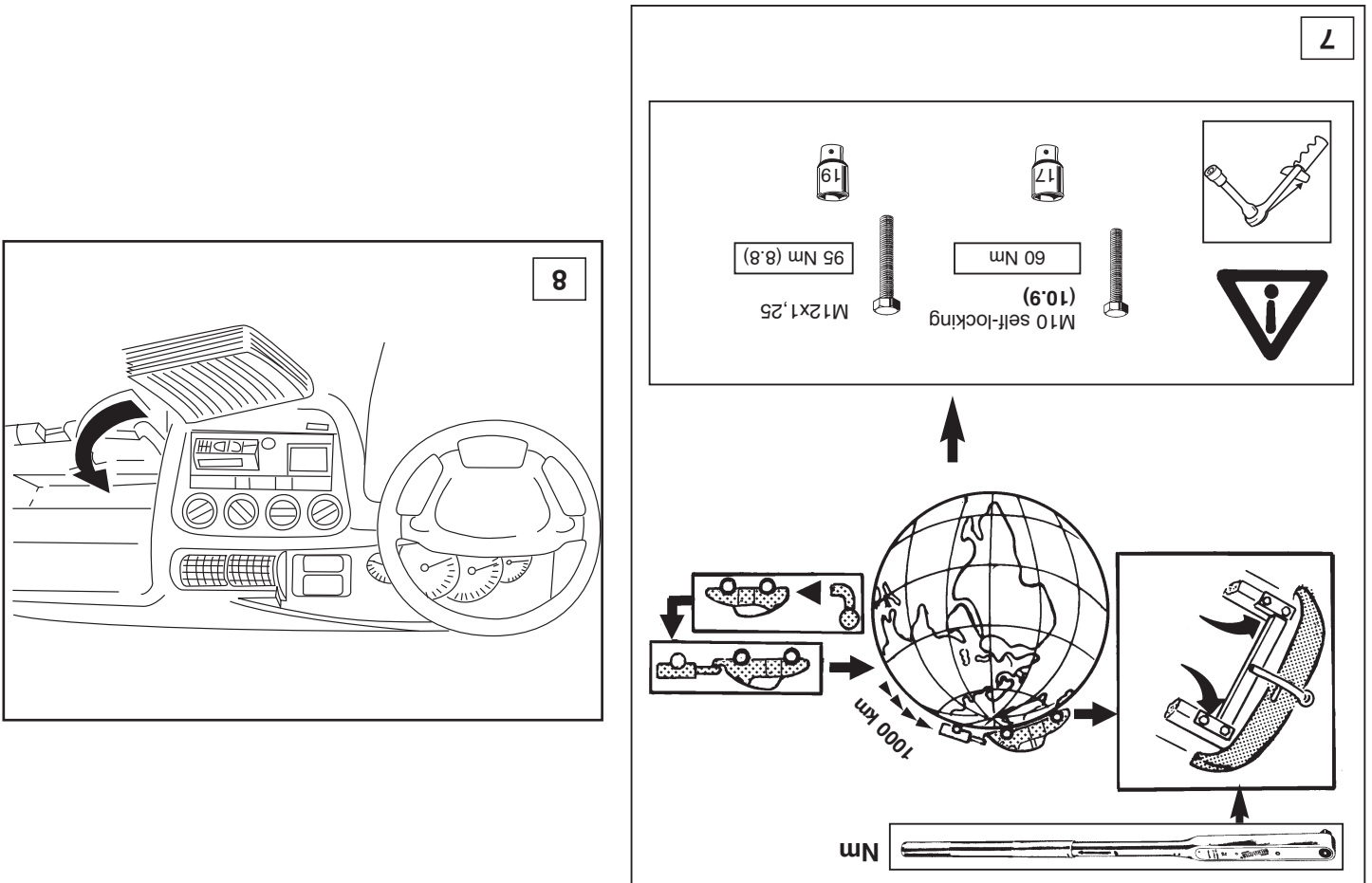
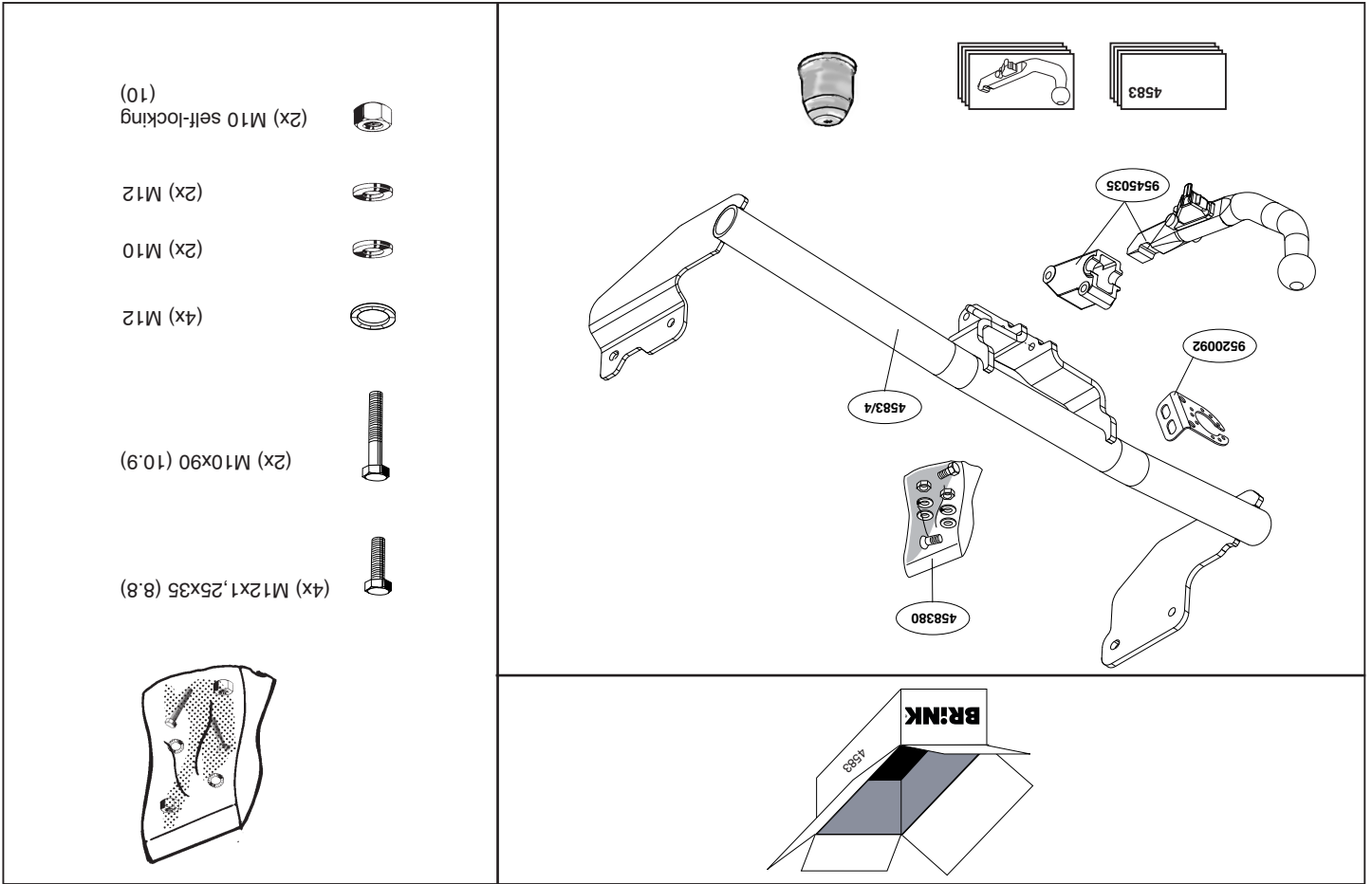
Make: HYUNDAI

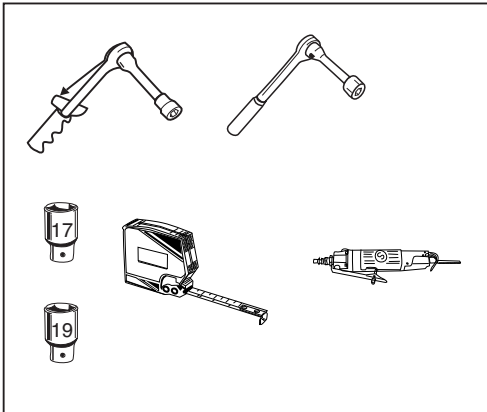
GETZ (TB); F/L 2005->

Type: 4583









Couplingsclass: A50-X

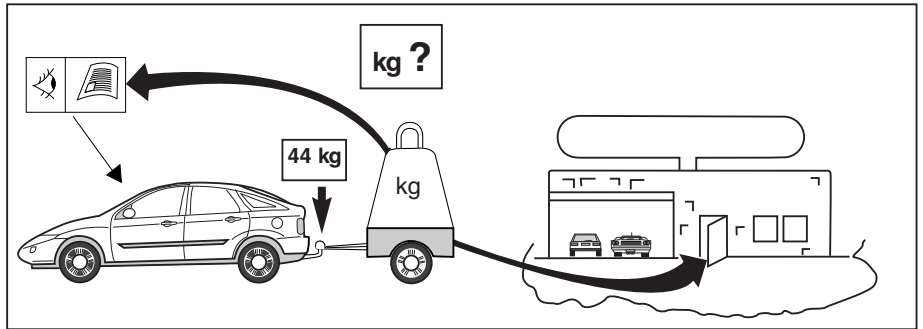
Approved

Approved

94/20/EC

e11 00-5798

D= 6,5kN

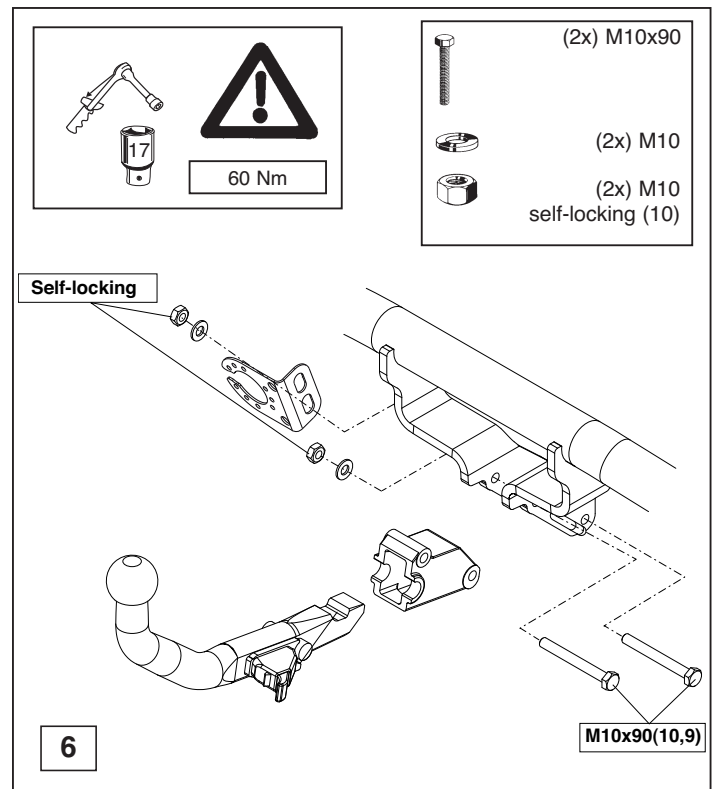
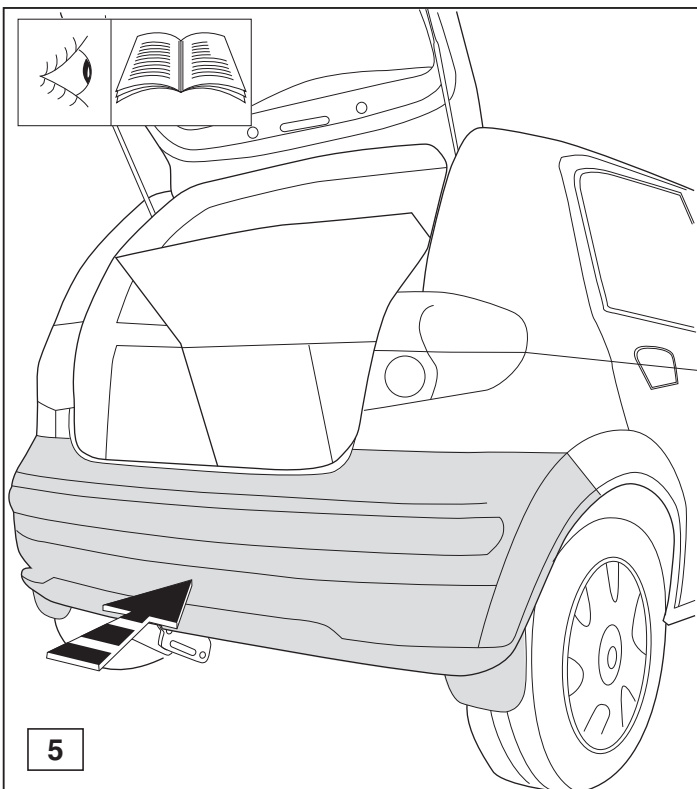


8.8

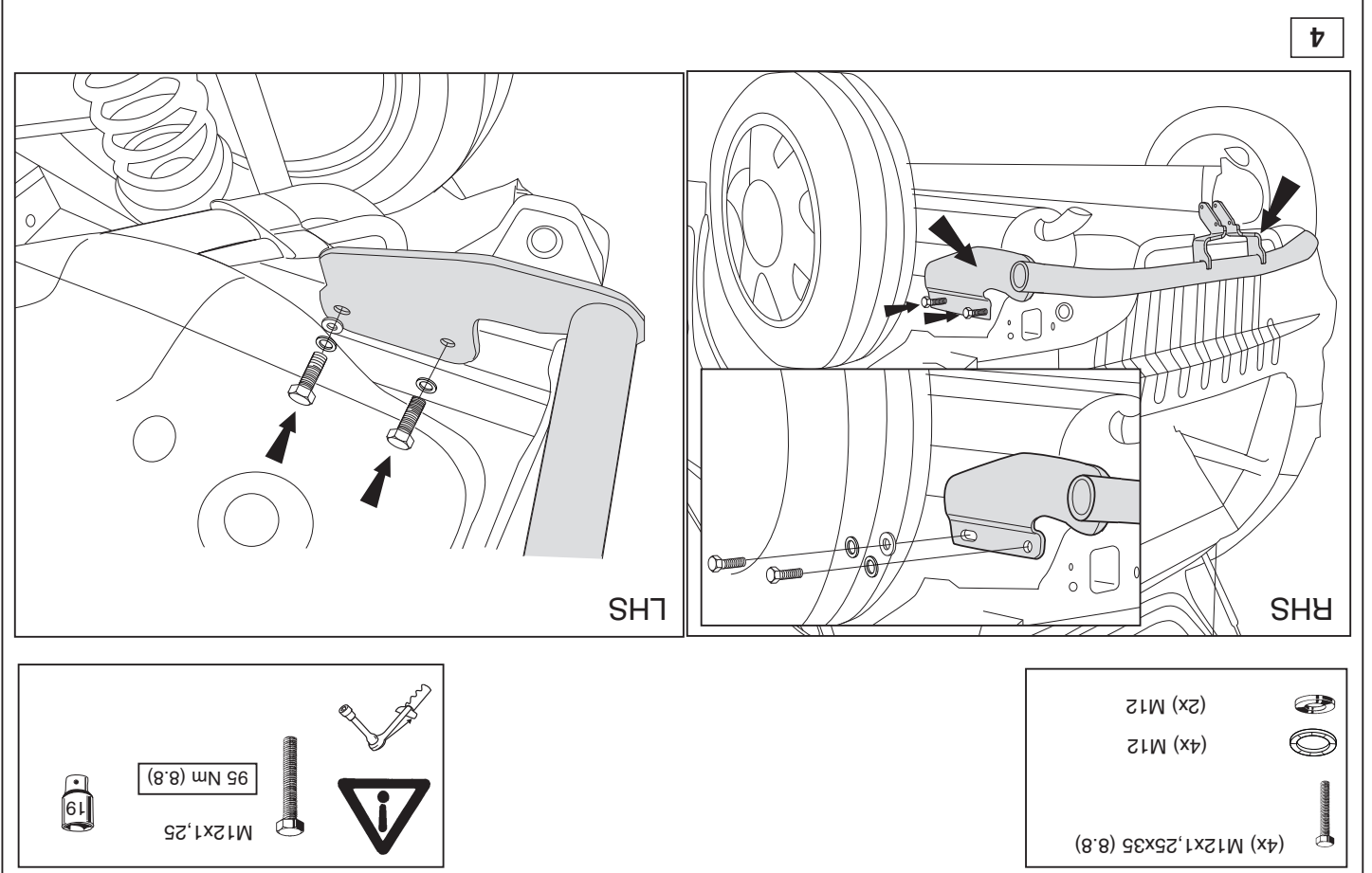
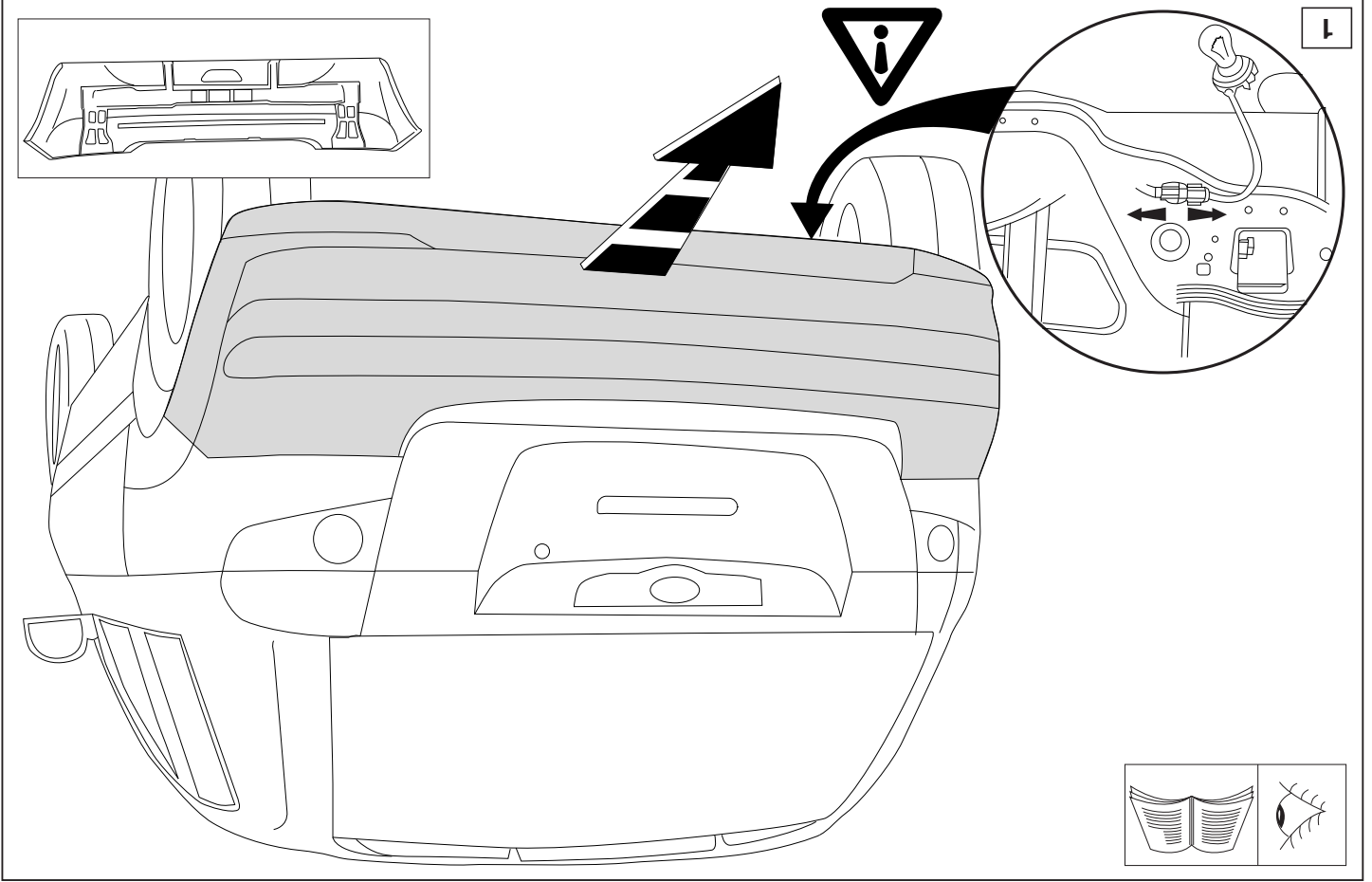
10.9

10

© 458370/02-07-2010/3

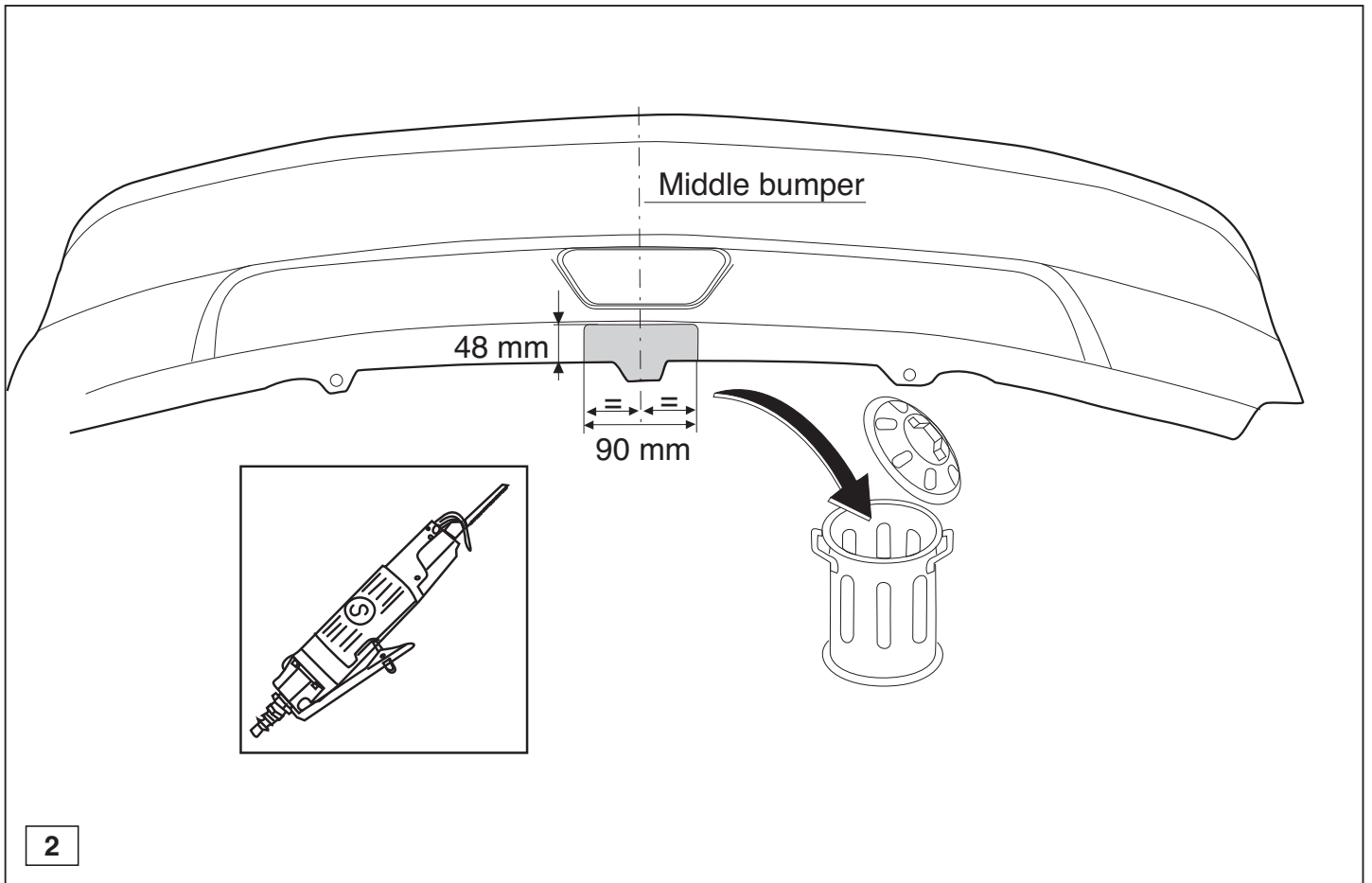


© 458370/02-07-2010/8

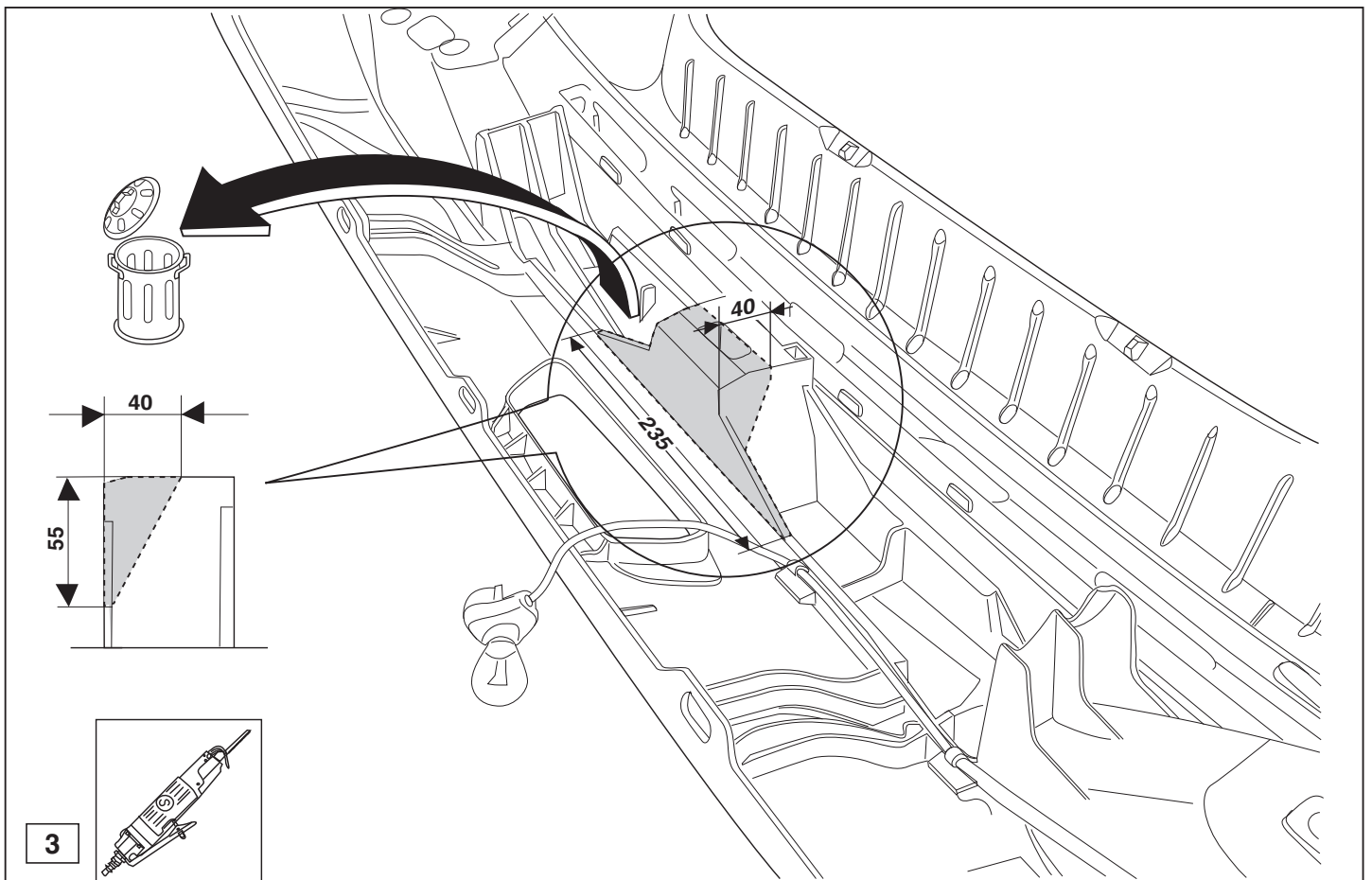


- (4x) M12x1,25x35 (8.8)
- (4x) M12
- (2x) M12

- M12x1,25
- 95 Nm (8.8)



© 458370/02-07-2010/5



© 458370/02-07-2010/6