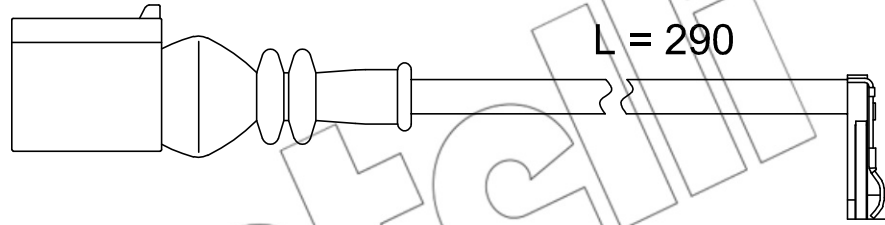
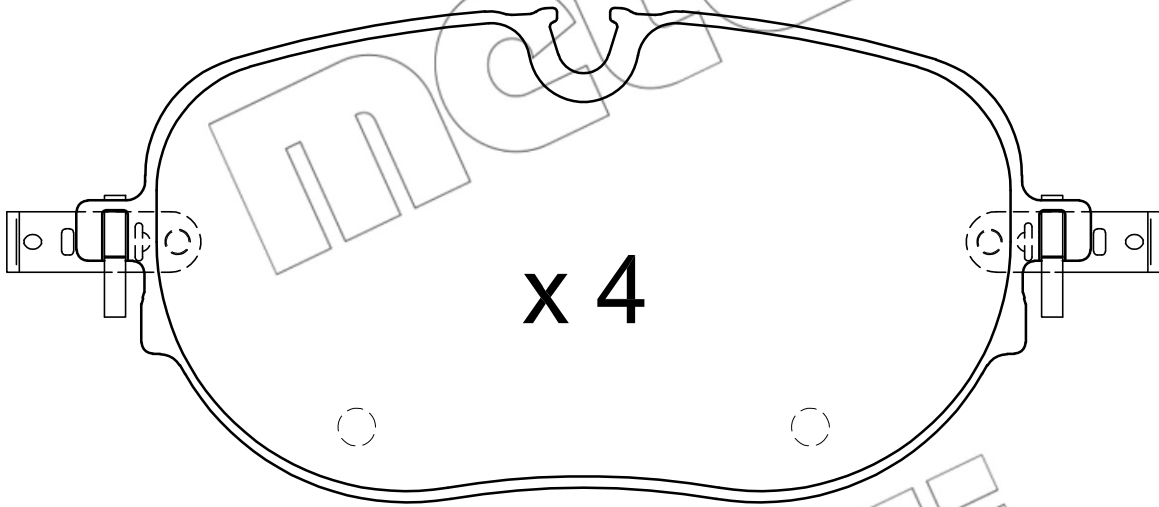


x 1



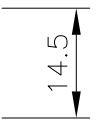
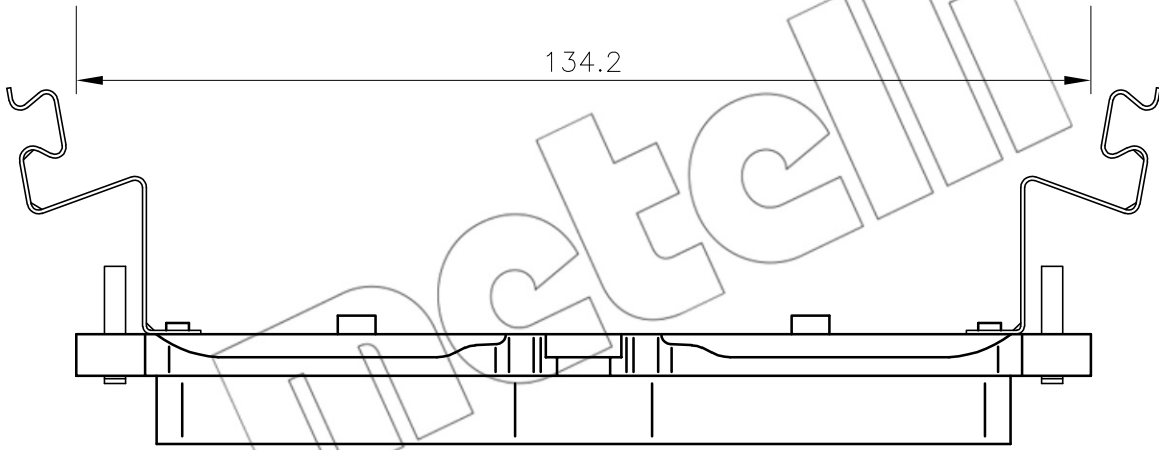
$L = 290$

x 4



65.4

134.2



14.5

metelli