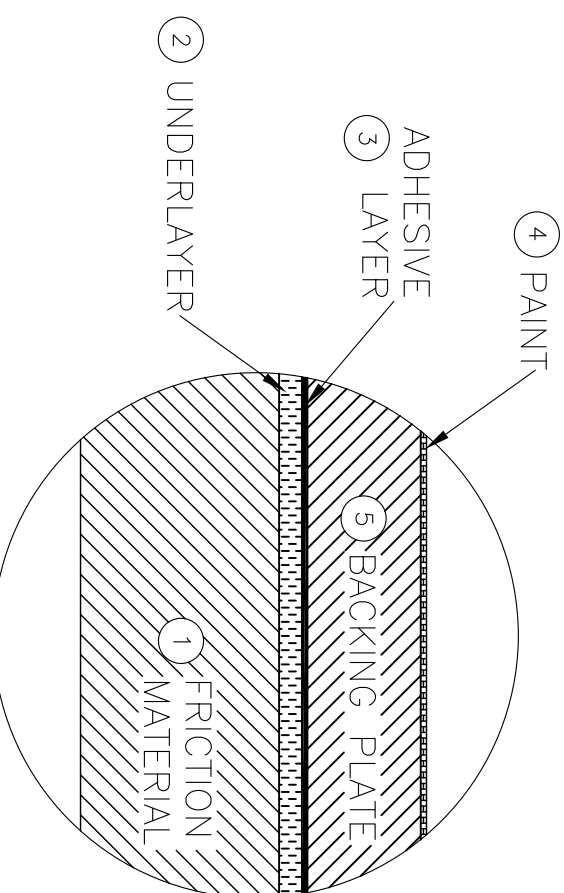
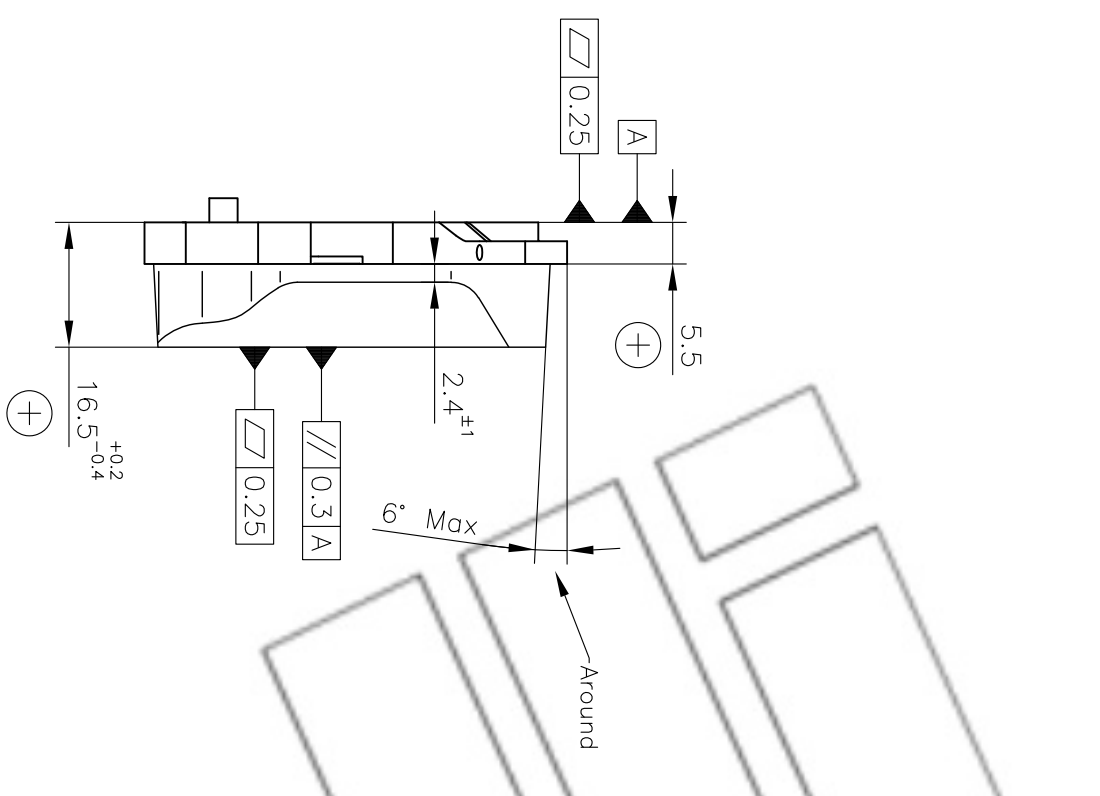
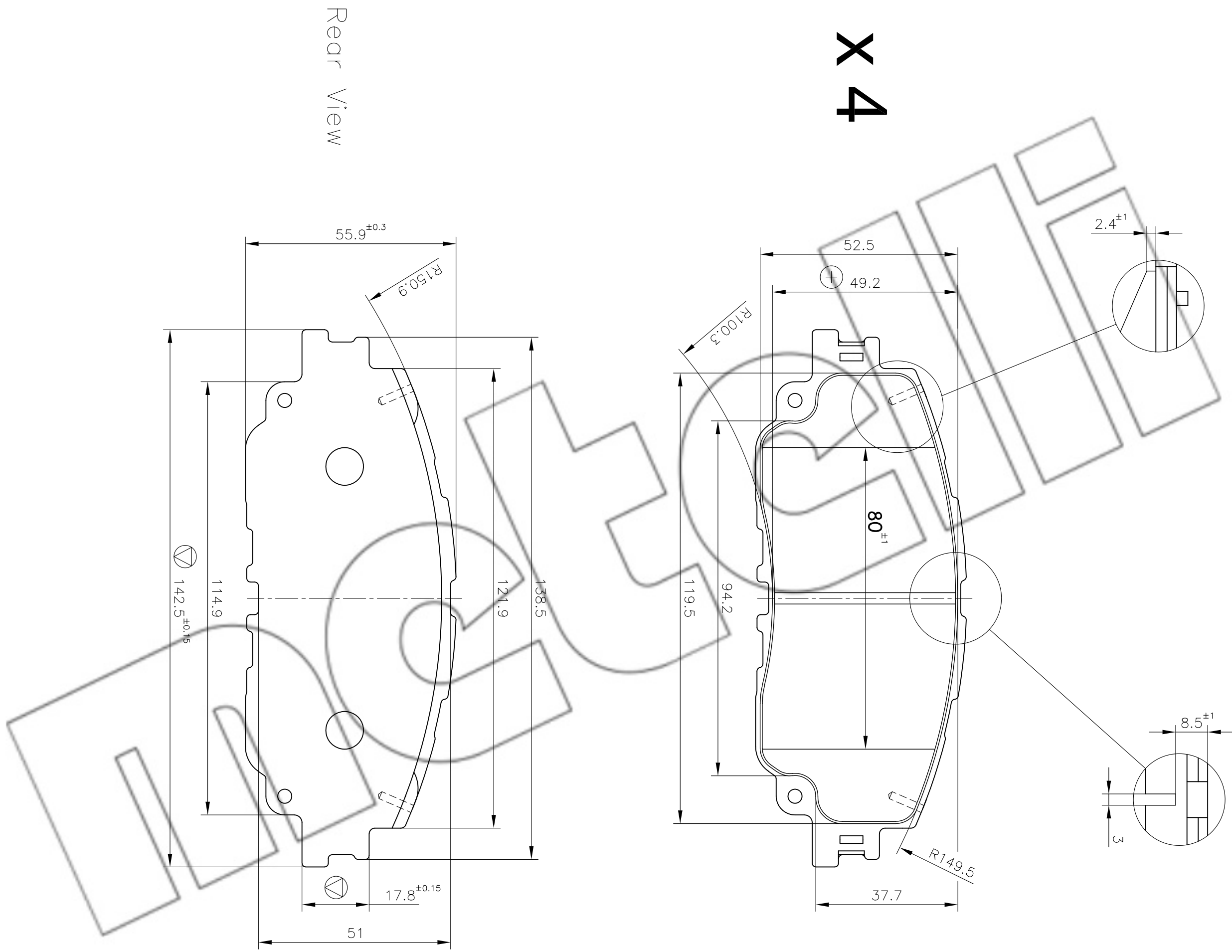


| Nr. | FT CODE | DESCRIPTION | QTY |
|--|---------|--------------------------------------|-----|
| 1 | FT#C | Friction compound for passenger cars | - |
| - Friction material: 11 - Identification letter: C - Friction coefficient: according to ISLB-28 (V) - Shear resistance: according to ISLB-17 (V) - Compressibility: according to ISLB-30 (V) - Density: according to ISLB-19 (V) - Hardness: according to ISLB-18 (V) - Friction material surface: 5.251,1 mm ² - General tolerances: ±0.5 | | | |
| 2 | FT#U | Underlayer compound | - |
| - Identification letter: U - Color: black or red - Friction coefficient: according to ISLB-28 (V) - Shear resistance: according to ISLB-17 (V) - Compressibility: according to ISLB-30 (V) - Hardness: according to ISLB-18 (V) PAD TH ≤ 10mm --> FT#U TH MAX= 2,5mm (+) PAD TH ≤ 10mm --> FT#U TH min= 1,5mm (V) 10mm < PAD TH < 24mm --> FT#U TH MAX= 3,5mm (+) 10mm < PAD TH < 24mm --> FT#U TH min= 2mm (V) PAD TH > 24mm --> FT#U TH MAX= 4,5mm (+) PAD TH > 24mm --> FT#U TH min= 3mm (V) | | | |
| 3 | C.8523 | Pre-coating water based adhesive | - |
| - Color: black - Shear resistance: according to ISLB-17 (V) Plate surface ≤ 100cm ² --> 2,50mg/cm ² + 5,50mg/cm ² (V) Plate surface > 100cm ² --> 8,50mg/cm ² + 11,00mg/cm ² (V) | | | |
| 4 | MC.002 | powder paint | - |
| - Color: black Thickness = 40 ± 90 µm ALL THE DIMENSIONS EXPRESSED IN THE DRAWING DON'T CONSIDER THE THICKNESS OF THE PAINT | | | |
| 5 | PM.1012 | Backing plate | 4 |
| - Plate material: S235JR (+) - Plate surface: 6.045,4 mm ² - General tolerances: ±0.3 - Roughness: Ra ≥ 7 µm Rz ≥ 45 µm | | | |



UNLESS OTHERWISE STATED THE FOLLOWING APPLIES:

- General symmetry [0.3]Z
- Control of prohibited and restricted substances according to PSA-S1
- Identification of key characteristics according to PQ-30
- Abbreviations according to ModUT-63



| REV | DATE | R.A.M. | DESCRIPTION | SIGNATURE |
|-----|------|--------|-------------|-----------|
| | | | | |
| | | | | |
| | | | | |
| | | | | |

| REPORT | 12 | CRITICAL | 5 | IMPORTANT | 7 |
|--------|----|----------|---|-----------|---|
|--------|----|----------|---|-----------|---|

| | |
|--|-------------------|
| CQD DRAWING - MANUAL MODIFICATIONS ARE NOT ALLOWED | |
| Part name | BRAKE PADS |
| Reference Code | 1227.0 |
| Prod. class | 1D |
| Signature | Date |
| Castellino A. | 22.01.2021 |
| Bolocco E. | 22.01.2021 |
| Chieschio M. | 22.01.2021 |
| Scale | 1:1 |
| Size | A1 |

DESCRIPTION
COMPLEX PROJECT DRAWING