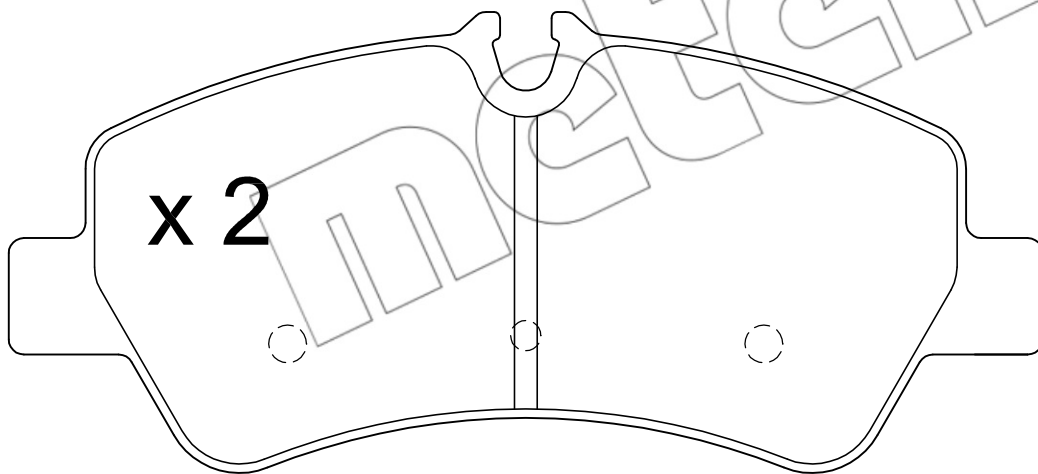


x 2

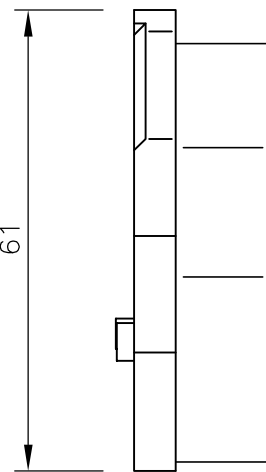


L = 530

x 2



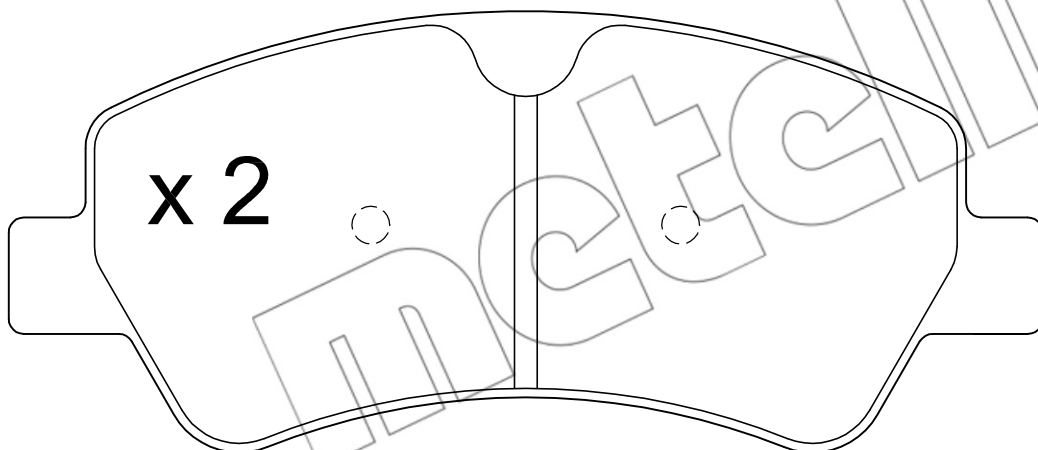
61



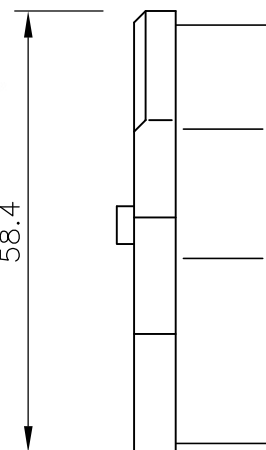
18

136.8

x 2



58.4



18

136.8

metelli