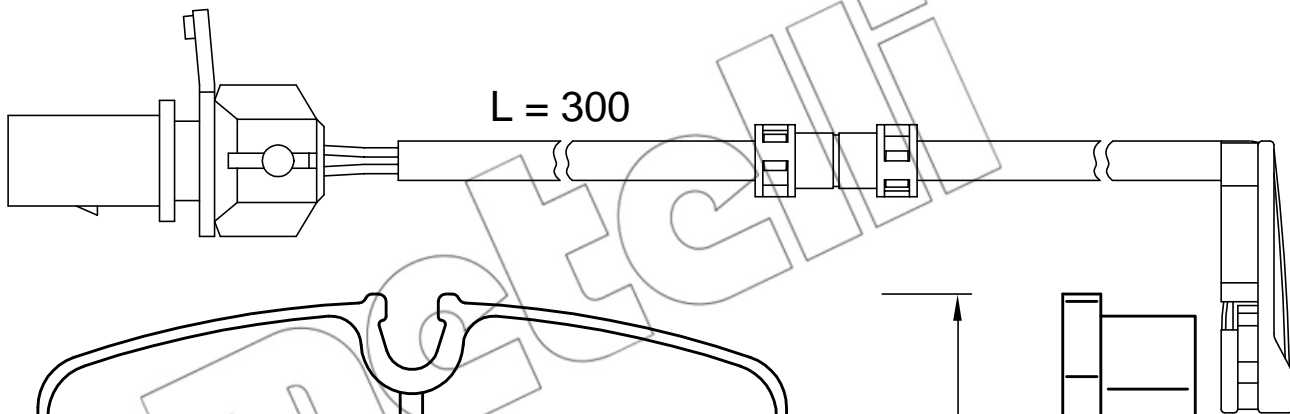
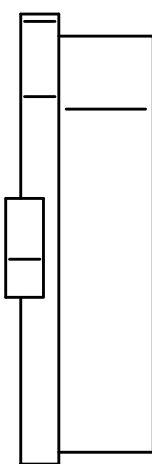
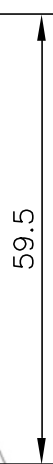
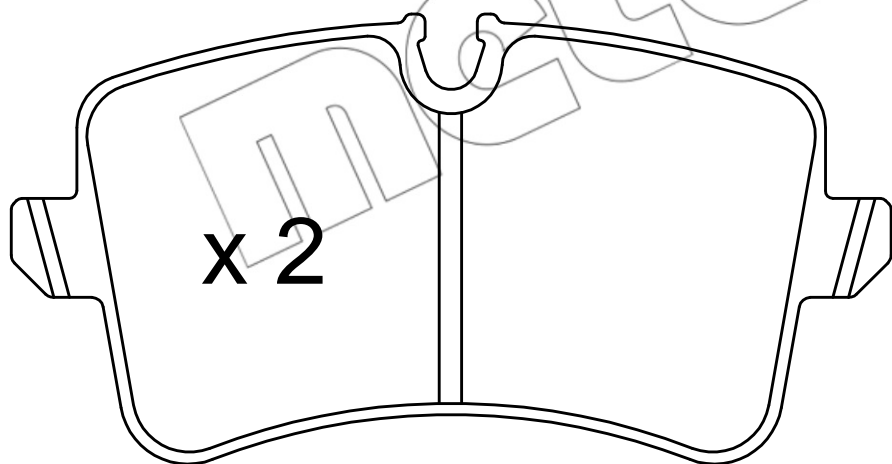


x 2

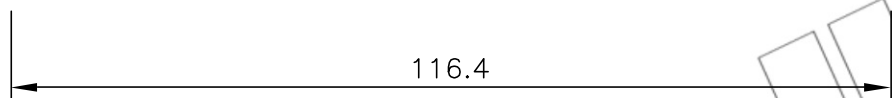


L = 300

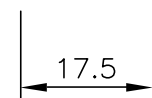
x 2



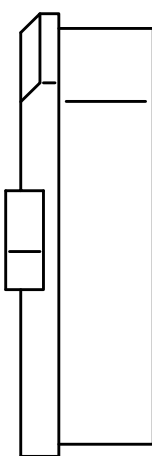
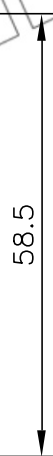
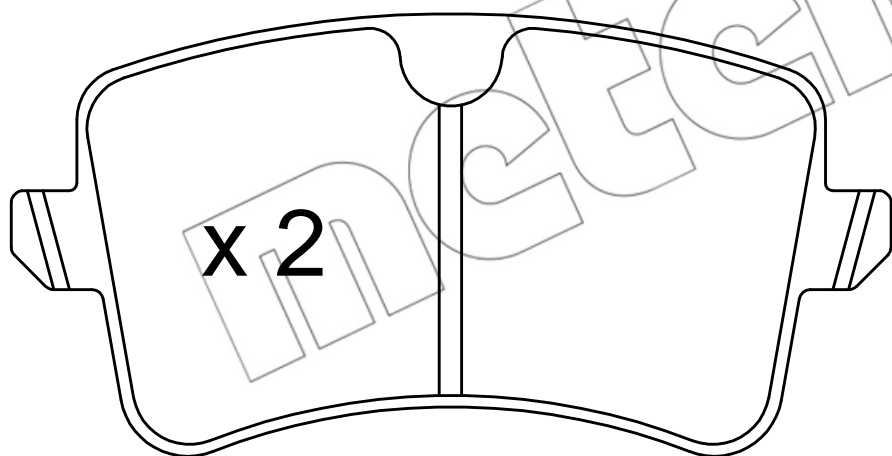
116.4



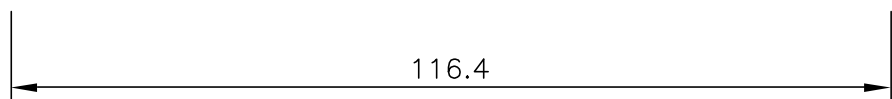
17.5



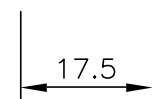
x 2



116.4



17.5



metelli