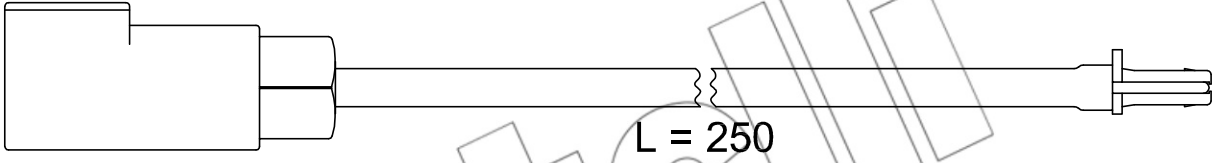
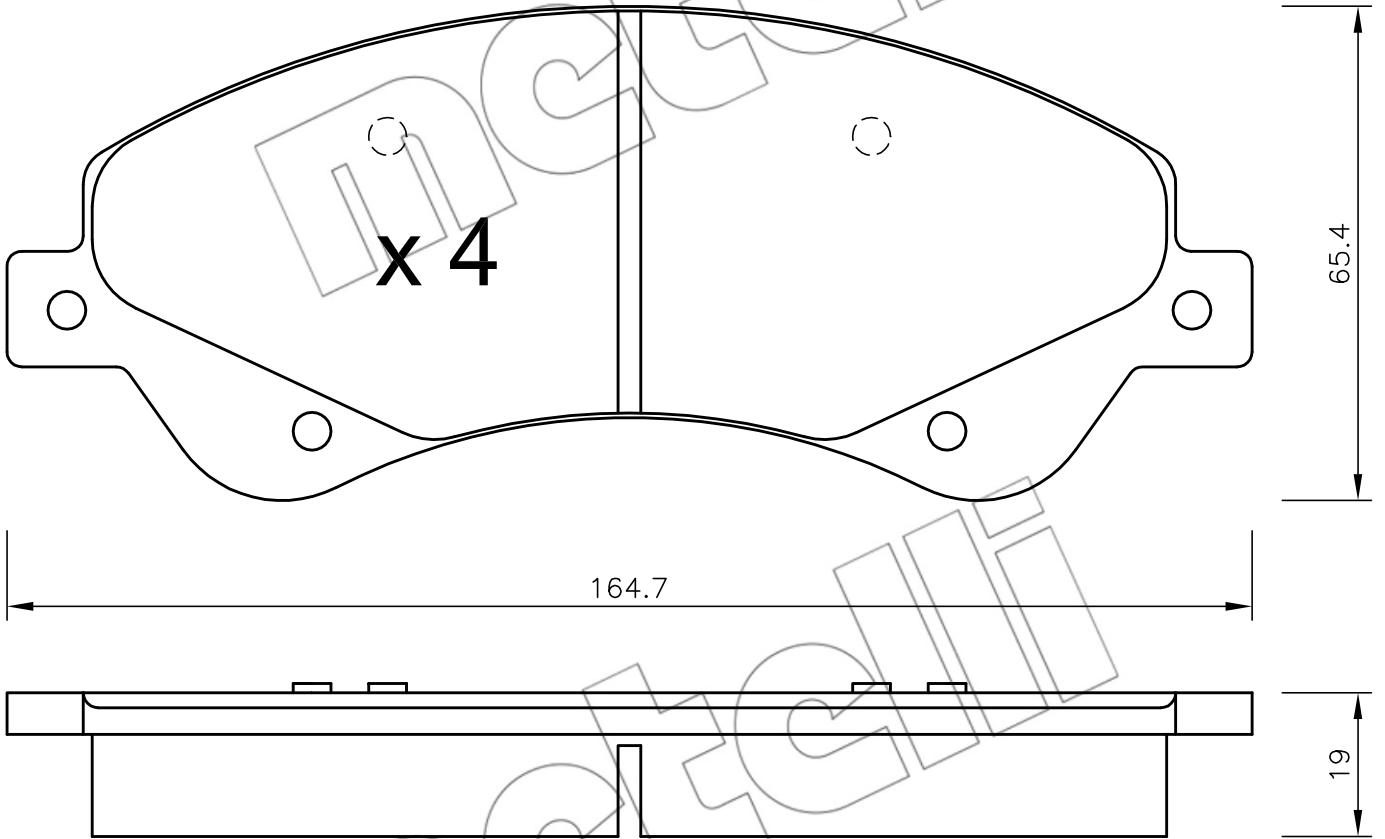


x 2



$L = 250$



x 4

164.7

65.4

19

metelli