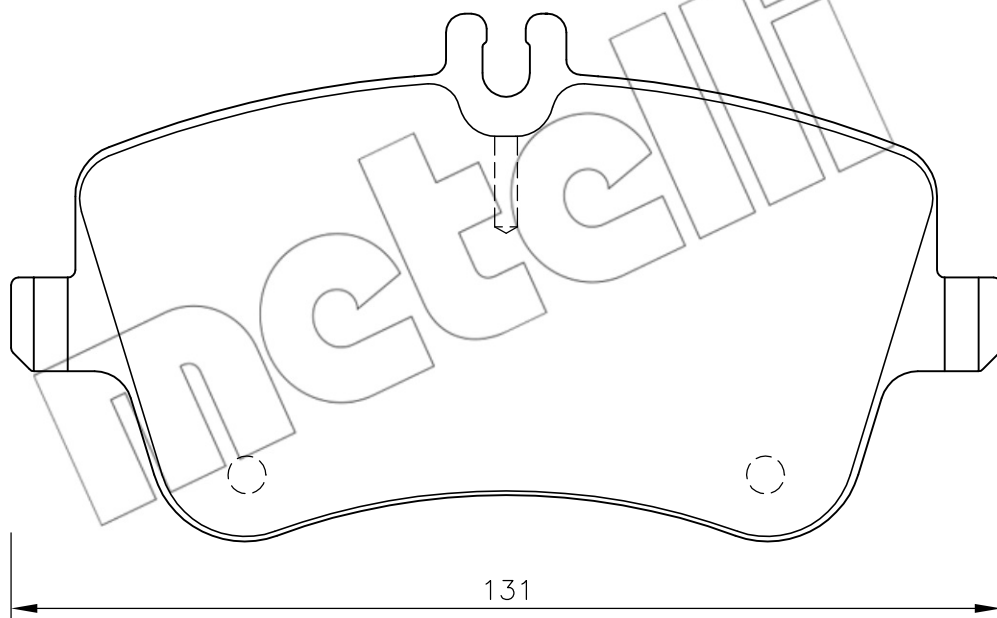
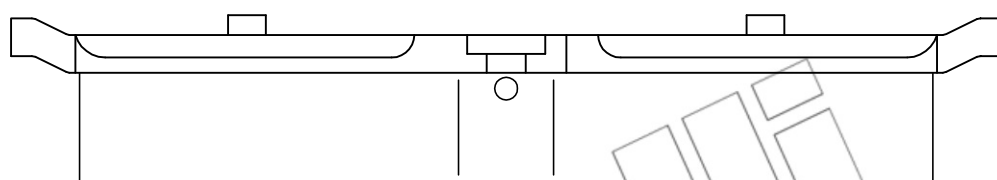


x 2



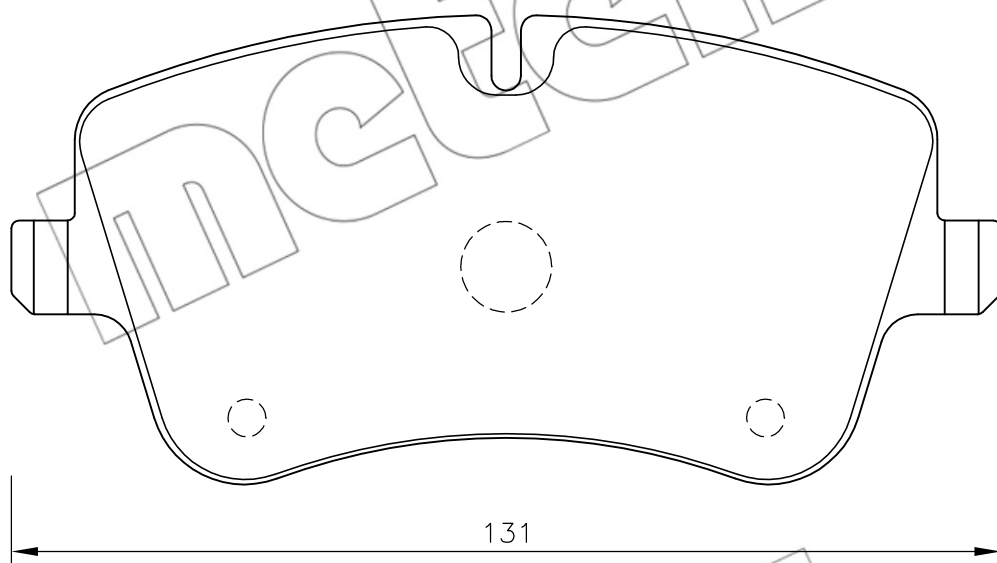
69.8

131



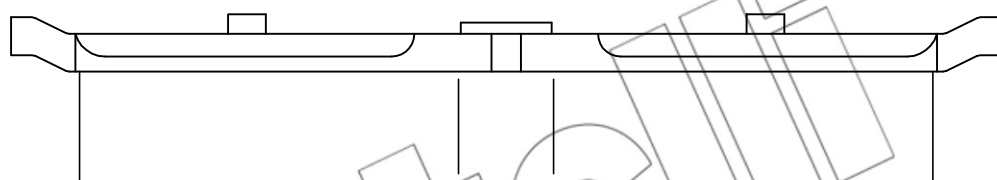
19.5

x 2



62

131



19.5