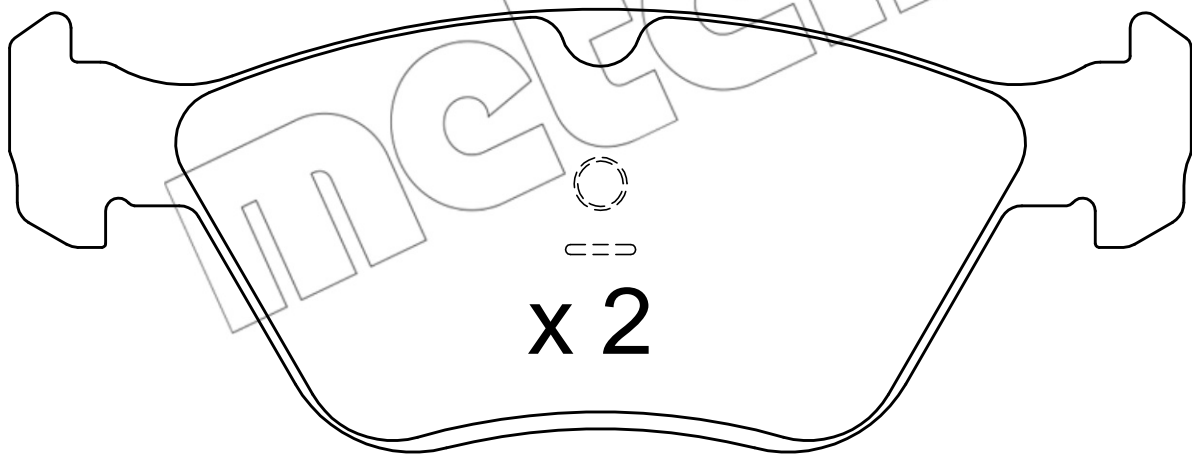
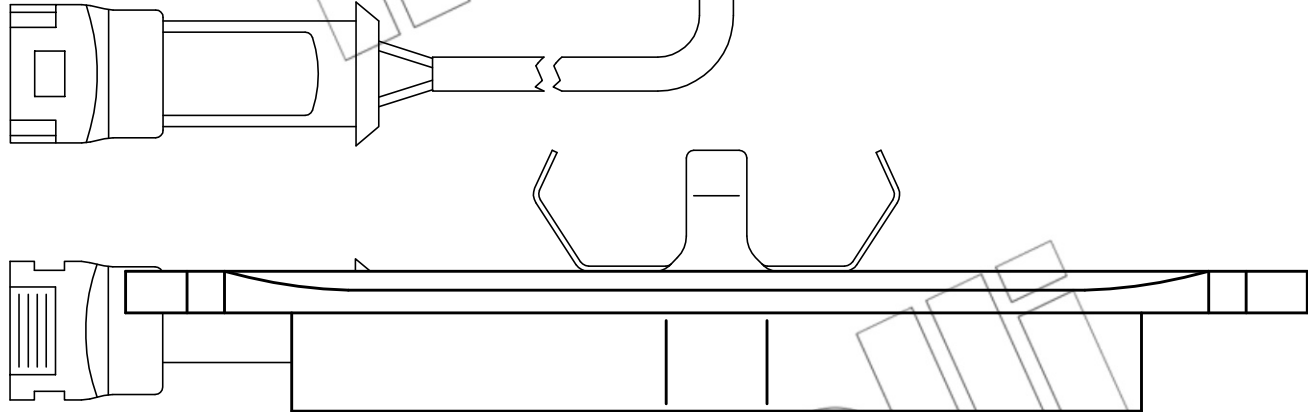
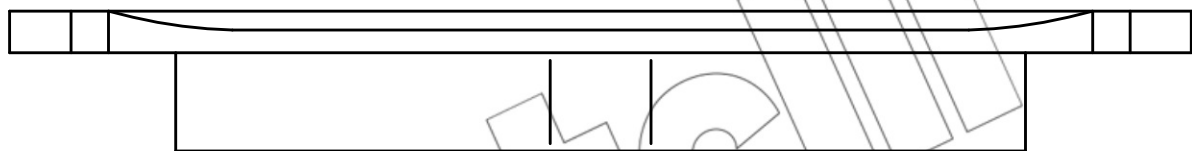


L = 255



58.7

156.4



18.5