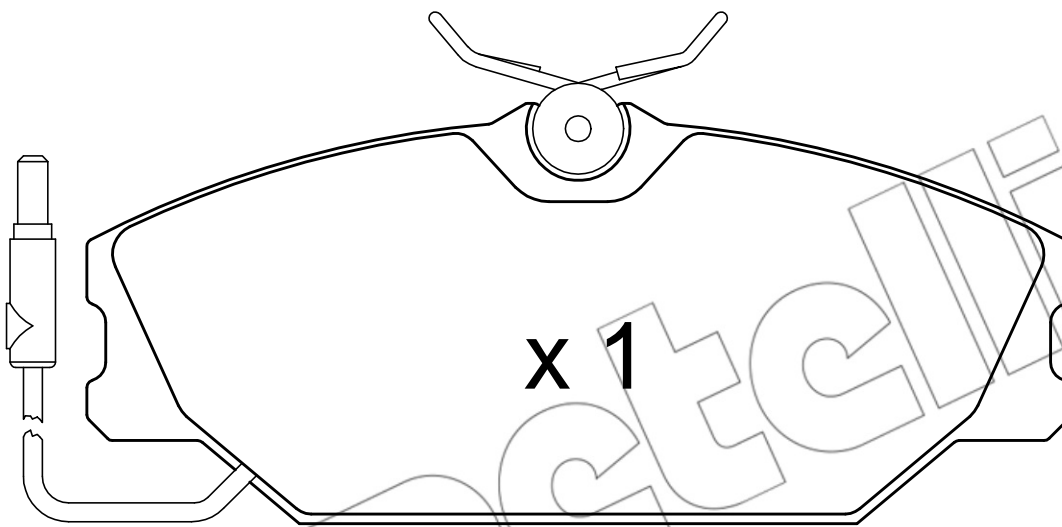
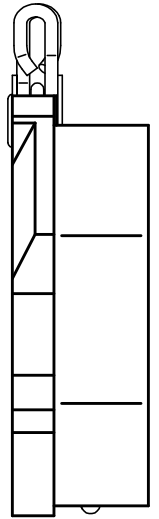
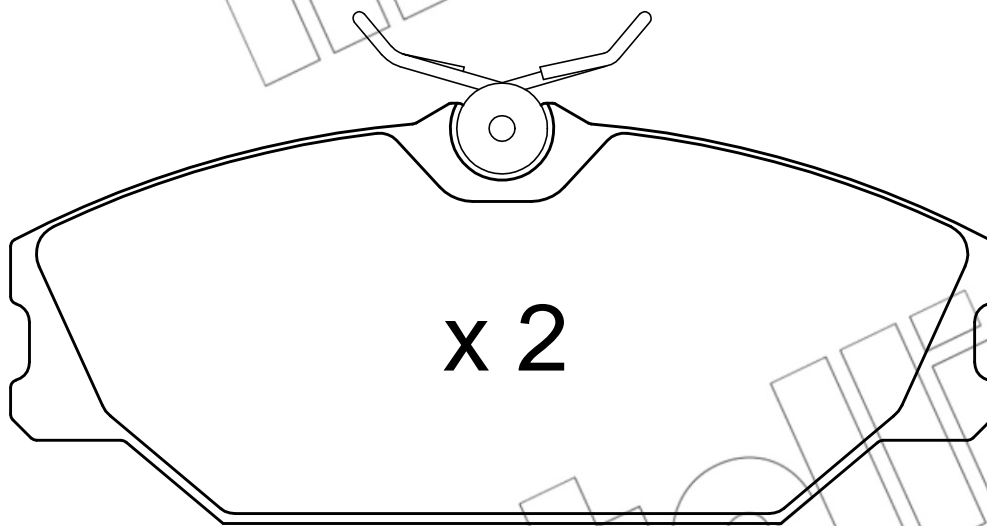
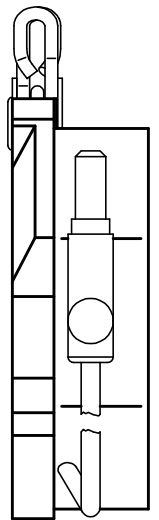


L = 230

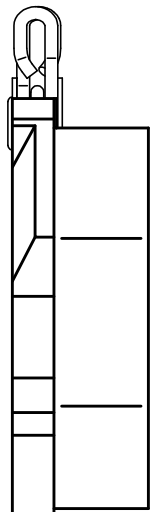


L = 230



130.2

55.7



18